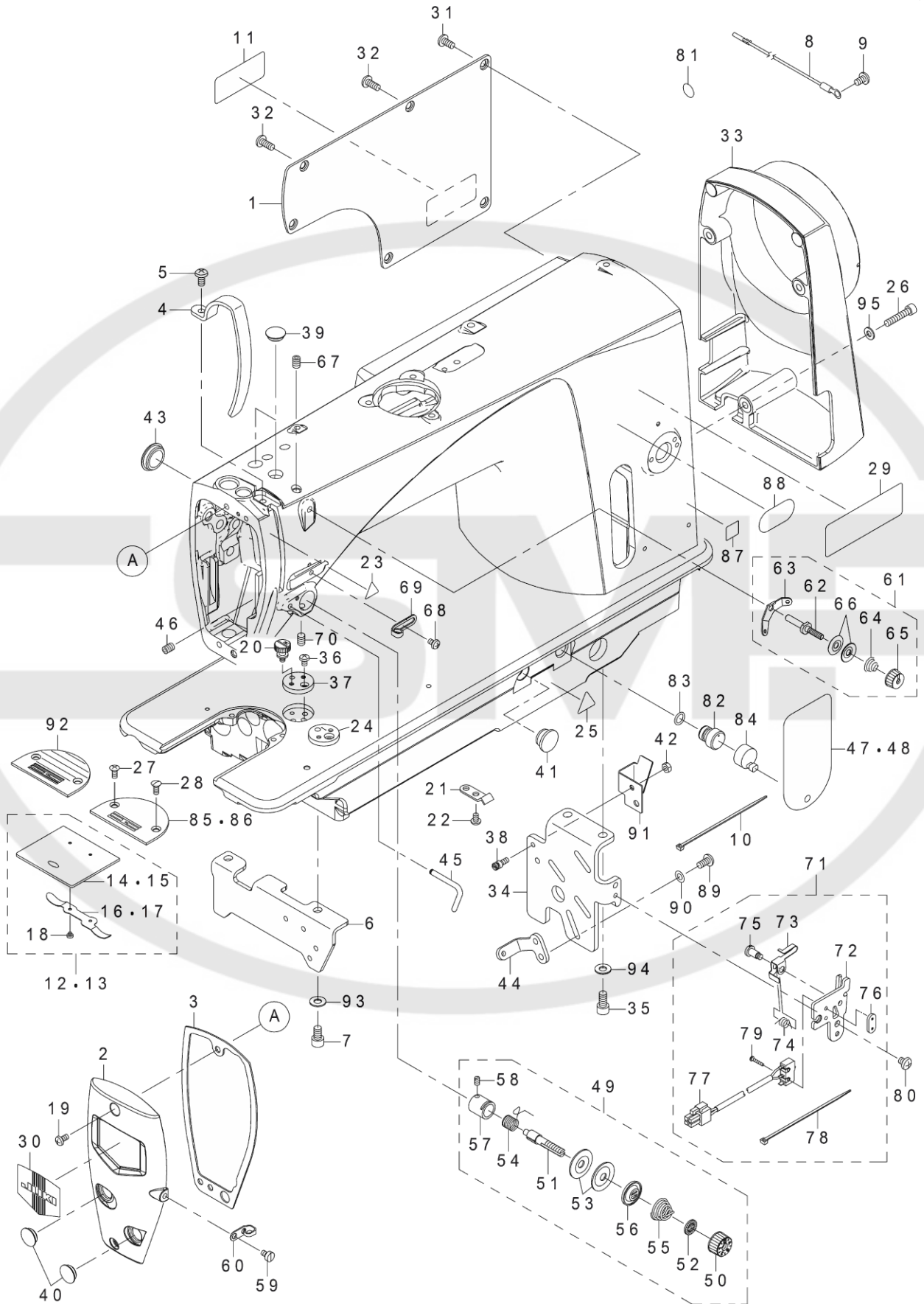




DDL-9000B

# 1. MACHINE FRAME & MISCELLANEOUS COVER COMPONENTS

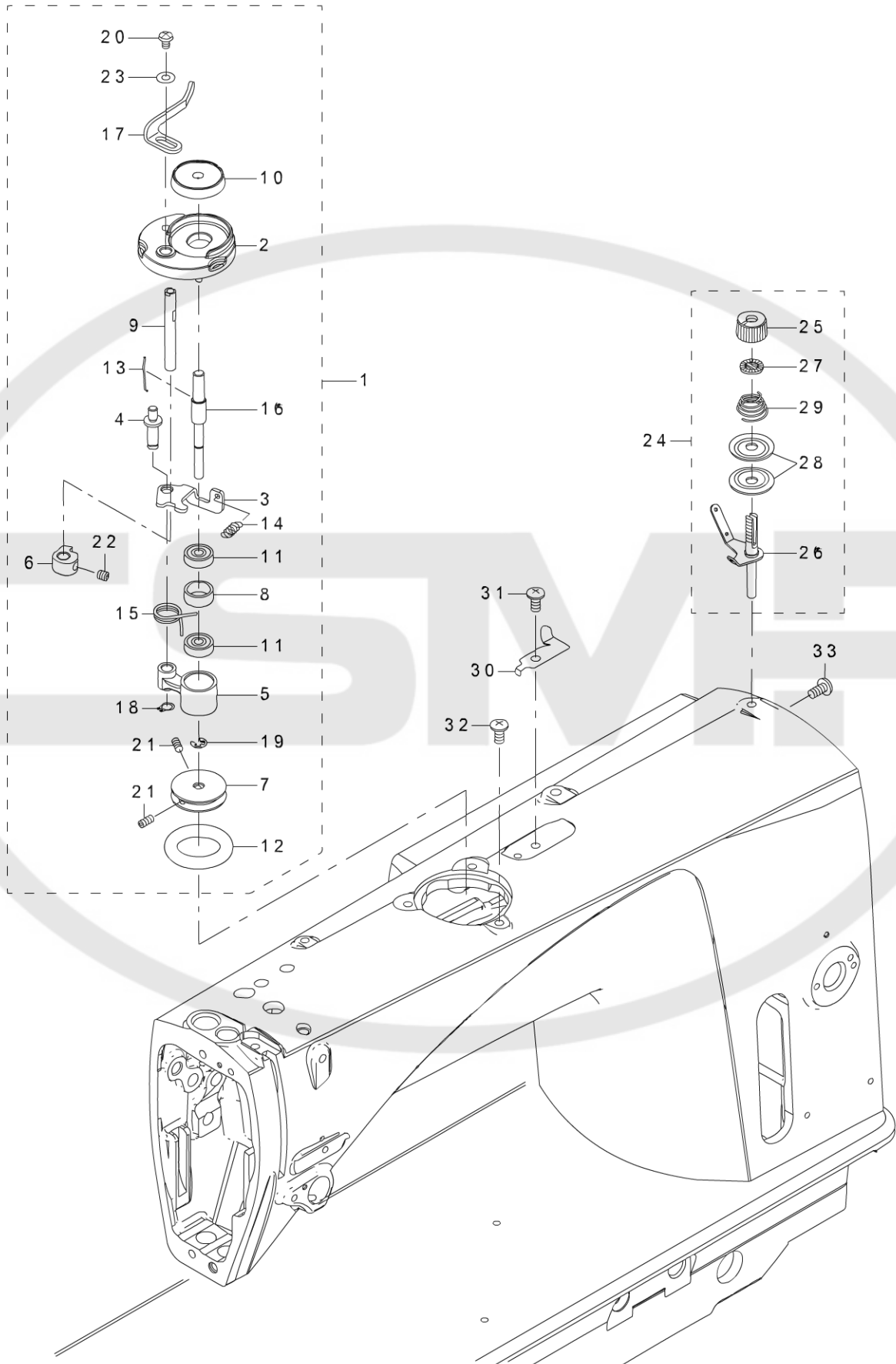


No	note	Parts No.	DESCRIPTION	Qty
1		40037158	SIDE PLATE	1
2		40041161	FACE PLATE	1
3		40052819	FACE PLATE PACKING	1
4		23600505	THREAD TAKE-UP LEVER COVER	1
5		SM4051055SP	SCREW	1
6		40086713	BED STUD A	1
7		SM6061002TP	SCREW M6 L=10	2
8		22951552	GROUND WIRE ASM.	1
9		SM4050855SP	SCREW	1
10		EA9500B0100	CABLE BAND	1
11	#05	40094561	SEWING MACHINE LABEL (EU)	1
12	#01	22901250	SLIDE PLATE ASM.	1
13	#02	22902753	SLIDE PLATE ASM.	1
14		22901201	SLIDE PLATE	(1)
15		22902704	SLIDE PLATE	(1)
16		22901300	SLIDE PLATE SPRING	(1)
17		22901300	SLIDE PLATE SPRING	(1)
18		SS6060210SP	SCREW 3/32-56 L=1.9	(2)
19		SM4050855SP	SCREW	2
20	#07	40069110	ATTACHMENT FIXATION SCREW	1
21		22944508	WIRE PRESSER A	1
22		SM4040855SP	SCREW	1
23		CM300200001	ATTENTION SEAL	1
24	#07	40069097	RULER PLATE I	1
25		CM300200003	ATTENTION LABEL	1
26		SM6052502TP	SCREW M5X25	3
27		SM2040955TP	SCREW M4 L=8.5	1
28		SM2040750TP	SCREW M4 L=7.4	1
29		CM301300001	SAFETY LABEL	1
30		22902506	FACE PLATE	1
31		SM4051055SP	SCREW	4
32		SM4051255SP	SCREW M5 L=12	2
33		40086732	PULLEY COVER	1
34		40086714	BED STUD B	1
35		SM6061202TP	SCREW M6 L=12	2
36		SM4040655SP	SCREW M4 L=6	1
37		40035589	RULER PLATE	1
38		40091461	FEED LEVER SPRING HOOK	1
39		TA1250406R0	RUBBER PLUG D=12.5 L=4	2
40		TA1250406R0	RUBBER PLUG D=12.5 L=4	2
41		TA1470704R0	RUBBER PLUG	1
42		NM6040001SP	NUT M4X0.7	1
43		TA1250406R0	RUBBER PLUG D=12.5 L=4	1
44		40114043	FEED ADJUSTING SPRING PLATE	1
45		40052933	ARM THREAD GUIDE C	1
46		SM80608A2TP	SCREW M6 L=8	1
47		23640006	SHEET	1
48	#06	40037488	SHEET	1
49		40086639	THREAD TENSION DISK ASM.	1
50		23626005	THREAD TENSION NUT	(1)
51		22921209	THREAD TENSION POST	(1)
52		22921407	ROTATION STOPPER	(1)
53		22921506	THREAD TENSION DISK	(2)
54		22921605	THREAD TAKE-UP SPRING	(1)
55		22921704	THREAD TENSION SPRING A	(1)
56		22921803	DISK STOPPER	(1)
57		40086640	TENSION POST SOCKET ASM.	(1)
58		SS8090670SP	SCREW 9/64-40 L= 5.5	(1)
59		SS6110610TP	SCREW 11/64-40 L=6	1
60		22920607	ARM THREAD GUIDE B	1
61		22963458	THREAD TENSION ASM.	1
62		22945414	THREAD TENSION POST	(1)
63		22945604	THREAD TENSION GUIDE	(1)
64		22963409	THREAD TENSION SPRING	(1)
65		22945703	THREAD TENSION NUT	(1)
66		22945802	THREAD TENSION DISK	(2)
67		SM80608A2TP	L=8SCREW M6 L=8	1
68		SM5040655SN	SCREW	1
69		23626104	ARM THREAD GUIDE A	1
70		SM80608A2TP	L=8SCREW M6 L=8	1
71		40086659	SAFETY SWITCH ASM.	1
72		40086660	SAFETY SWITCH BASE	(1)
73		23638109	SAFETY SWITCH ARM	(1)
74		23638208	SAFETY SWITCH SPRING	(1)
75		23638307	SAFETY SWITCH ARM SHAFT	(1)
76		23638406	SAFETY SWITCH NUT	(1)
77		40098386	SAFETY SWITCH CORD ASM.	(1)
78		EA9500B0100	CABLE BAND	(1)
79		SM4021201SC	SCREW M2 L=12	(2)
80		SM4050655SP	SCREW M5 L=6	1
81		22901805	GROUND MARK	1
82		23629900	AIR-DISCHARGING	1
83		RO080150200	RUBBER RING	1
84		23601305	AIR-DISCHARGING CAP	1
85	#03	B110901210B	THROAT PLATE (I)	1
86	#04	11028008	THROAT PLATE	1
87	#05	CM600100101	WEEE MARK LABEL S	1
88	#06	CM600600101	CHINA ENVIRONMENT LABEL	1
89		SM4051055SP	SCREW	2
90		WP0550800SP	WASHER 5.5X10X0.8	2

No	note	Parts No.	DESCRIPTION	Qty
91		40091397	CABLE COVER	1
92	#06	B1109552000	THROAT PLATE	1
93		WP0621016SD	WASHER 6.2X13X1	2
94		WP0621016SD	WASHER 6.2X13X1	2
95		WP0501016SD	WASHER 5X10.5X1	3

1...#01FOR BB/EE / 2...#02FOR AA/GG / 3...#03FOR AA/BB / 4...#04FOR EE / 5...#05FOR BB / 6...#06FOR GG / 7...#07OPTIONAL PARTS / 8... / 9...\*ABOUT THE DESTINATION / 10... 仕向地については、見開きの（パーツリストご利用に際して）を参照して下さい。 / 11... / 1... / 1...#01FOR BB/EE / 2...#02FOR AA/GG / 3...#03FOR AA/BB / 4...#04FOR EE / 5...#05FOR BB / 6...#06FOR GG / 7...#07OPTIONAL PARTS / 8... / 9...\*ABOUT THE DESTINATION / 10... 仕向地については、見開きの（パーツリストご利用に際して）を参照して下さい。 / 11... /

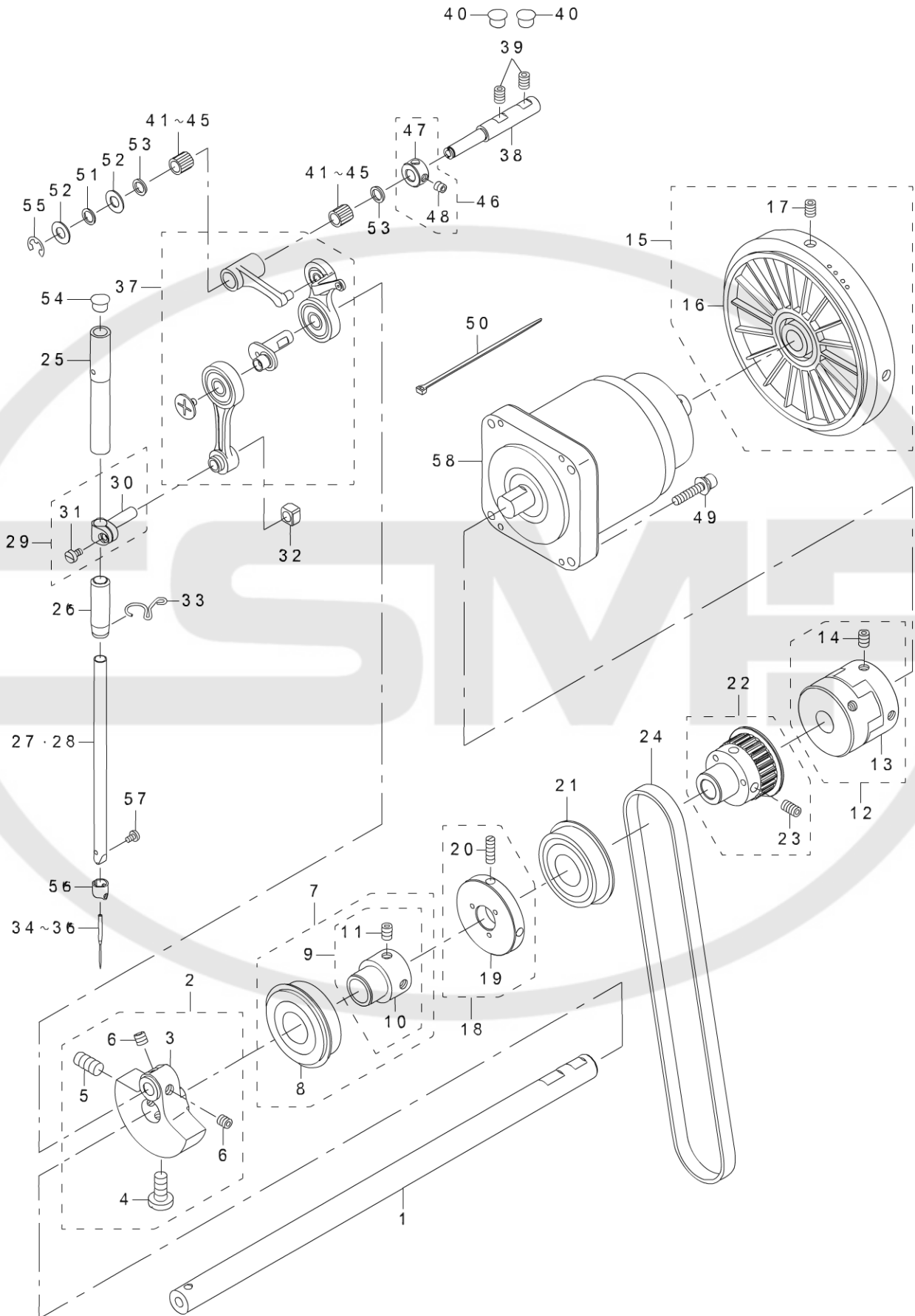




No	note	Parts No.	DESCRIPTION	Qty
1		40023021	BOBBIN WINDER UNIT	1
2		26260109	BTW BASE	(1)
3		26260208	BTW CAM PLATE	(1)
4		26260307	BTW BASE SHAFT	(1)
5		26260406	BTW SHAFT BASE	(1)
6		26260505	BTW CAM LEVER	(1)
7		26260604	BTW WHEEL	(1)
8		26260802	BTW BEARING SPACER	(1)
9		26261008	BTW LEVER SHAFT	(1)
10		26261206	BTW SPACER	(1)
11		26261305	BTW BEARING	(2)
12		26261503	BTW WHEEL RUBBER	(1)
13		26261602	BOBBIN SPRING	(1)
14		26261701	BTW SPRING	(1)
15		40011144	BTW TORSION SPRING	(1)
16		40014837	BTW SHAFT	(1)
17		40023022	BTW LEVER	(1)
18		RC0560711KP	RETAINING RING	(1)
19		RE0400000K0	E-RING 4	(1)
20		SM5040655SN	SCREW	(1)
21		SM8040802TP	SCREW M4X8	(2)
22		SM8050502TP	SCREW M5 L=5	(1)
23		WP0450826SC	WASHER 4.5X10X0.8	(1)
24		40088958	BOBBIN THREAD TENSION ASM.	1
25		22921308	THREAD TENSION NUT	(1)
26		40088959	BOBBIN THREAD TENSION ROD ASM.	(1)
27		22921407	ROTATION STOPPER	(1)
28		22921506	THREAD TENSION DISK	(2)
29		22921704	THREAD TENSION SPRING A	(1)
30		40037008	THREAD CUTTER	1
31		SM0050801SC	SCREW	1
32		SM0050801SC	SCREW	3
33		SM4051055SP	SCREW	1

1... /

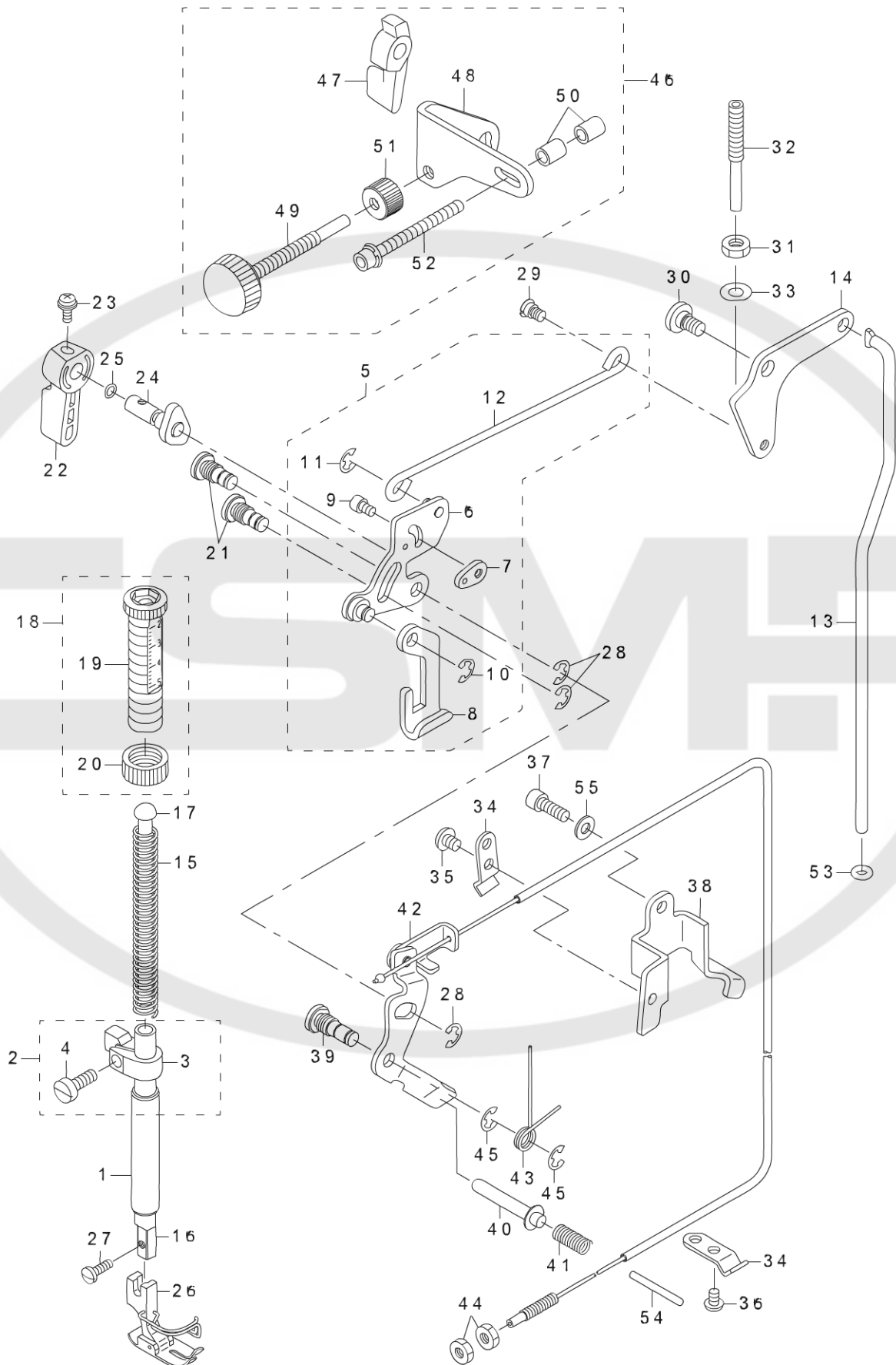




No	note	Parts No.	DESCRIPTION	Qty
1		40086597	MAIN SHAFT	1
2		40037003	ASSY COUNTER WEIGHT	1
3		40025729	COUNTER WEIGHT	(1)
4		40004171	COUNTER WEIGHT SCREW	(1)
5		SM8081652TP	SCREW M8 L=16	(1)
6		SM80606A2TP	6SCREW M6 L=6	(2)
7		40086733	BEARING SUPPORT COMPL.	1
8		SB120002700	BEARING	(1)
9		40044857	FRONT BEARING SUPPORT ASM.	(1)
10		23605207	MAIN SHAFT BEARING SUPPORT	(1)
11		SM80608A2TP	SCREW M6 L=8	(2)
12		40051473	COUPLING ASM.	1
13		40051474	COUPLING	(1)
14		SM80608A2TP	L=8SCREW M6 L=8	(4)
15		40037007	HAND WHEEL ASM.	1
16		40037006	HAND WHEEL	(1)
17		SM80608A2TP	SCREW M6 L=8	(2)
18		40020454	BTW DRIVING WHEEL ASM.	1
19		40020455	BTW DRIVING WHEEL	(1)
20		SM8051610SP	SCREW M5 L=16	(2)
21		SB120002700	BEARING	1
22		40086729	UPPER SPROCKET ASM.	1
23		SM80608A2TP	SCREW M6 L=8	(2)
24		40086731	TIMING BELT 550	1
25		23608003	NEEDLE BAR METAL UPPER	1
26		40107708	NEEDLE BAR METAL LOWER H	1
27	#01	22886907	NEEDLE BAR (A)	1
28	#02	22887004	NEEDLE BAR (B)	1
29		22906457	NEEDLE BAR HOLDER ASM.	1
30		22906408	NEEDLE ROD HOLDER	(1)
31		SS6090670TP	SCREW 9/64-40 L=6	(1)
32		40090058	SLIDE BLOCK	1
33		23626203	NEEDLE BAR THREAD GUIDE	1
34	#04	MDB100B1100	NEEDLE DBX1 #11	1
35	#02	MC200500750	NEEDLE 134 NM75	1
36	#03	MDB100B1400	NEEDLE DBX1 #14	1
37		40037370	THREAD TAKE UP COMP.	1
38		40090527	TAKE UP CRANK SHAFT	1
39		SM80608A2TP	SCREW M6 L=8	2
40		TA0850604R0	RUBBER PLUG	2
41	#05	SB307000200	BEARING	2
42	#05	SB30700020A	BEARING	2
43	#05	SB30700020B	BEARING	2
44	#05	SB30700020C	BEARING	2
45	#05	SB30700020D	BEARING	2
46		40032269	THRUST COLLAR	1
47		CS1000881TP	THRUST COLLAR	(1)
48		SM8050412TP	SCREW M5 L=4	(2)
49		SL6052592TN	BOLT	4
50		EA9500B0100	CABLE BAND	2
51		40090529	TAKE UP CRANK SHAFT WASHER B	1
52		40090528	TAKE UP CRANK SHAFT WASHER A	2
53		22891204	BEARING SUPPORT	2
54		TA0850604R0	RUBBER PLUG	1
55		RE0600000K0	E-RING 6	1
56		22906309	NEEDLE BAR THREAD GUIDE	1
57		SS7080510TP	SCREW 1/8-44 L=4.5	1
58		40089196	AC SERVO MOTOR	1

1...#01FOR EE/AA/GG / 2...#02FOR BB / 3...#03FOR GG / 4...#04FOR EE/AA / 5...#05SELECTIVE PARTS / 6... / 7...\*ABOUT THE DESTINATION / 8... 仕向地については、見開きの (パーツリストご利用に際して)を参照して下さい。 / 9... /

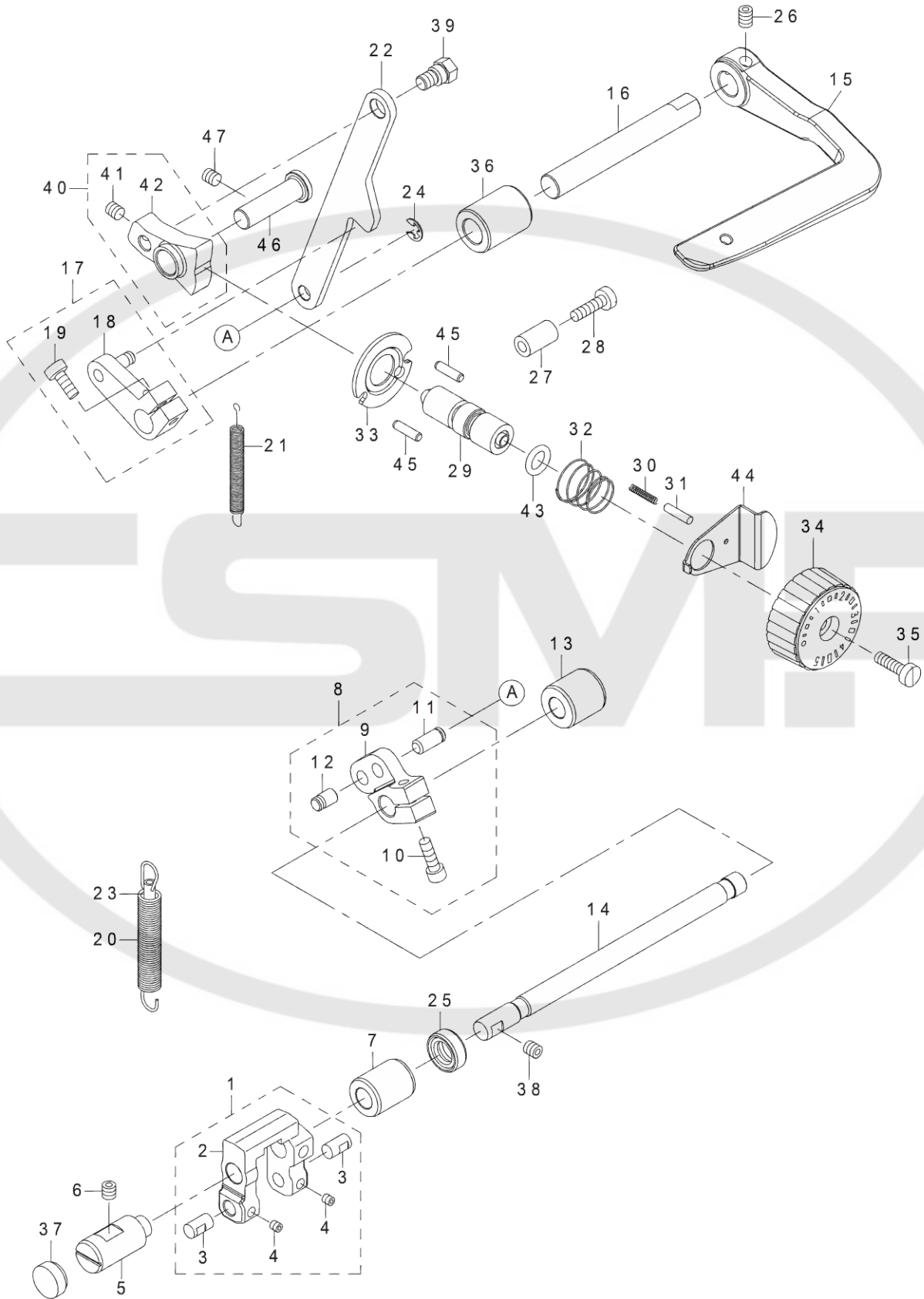




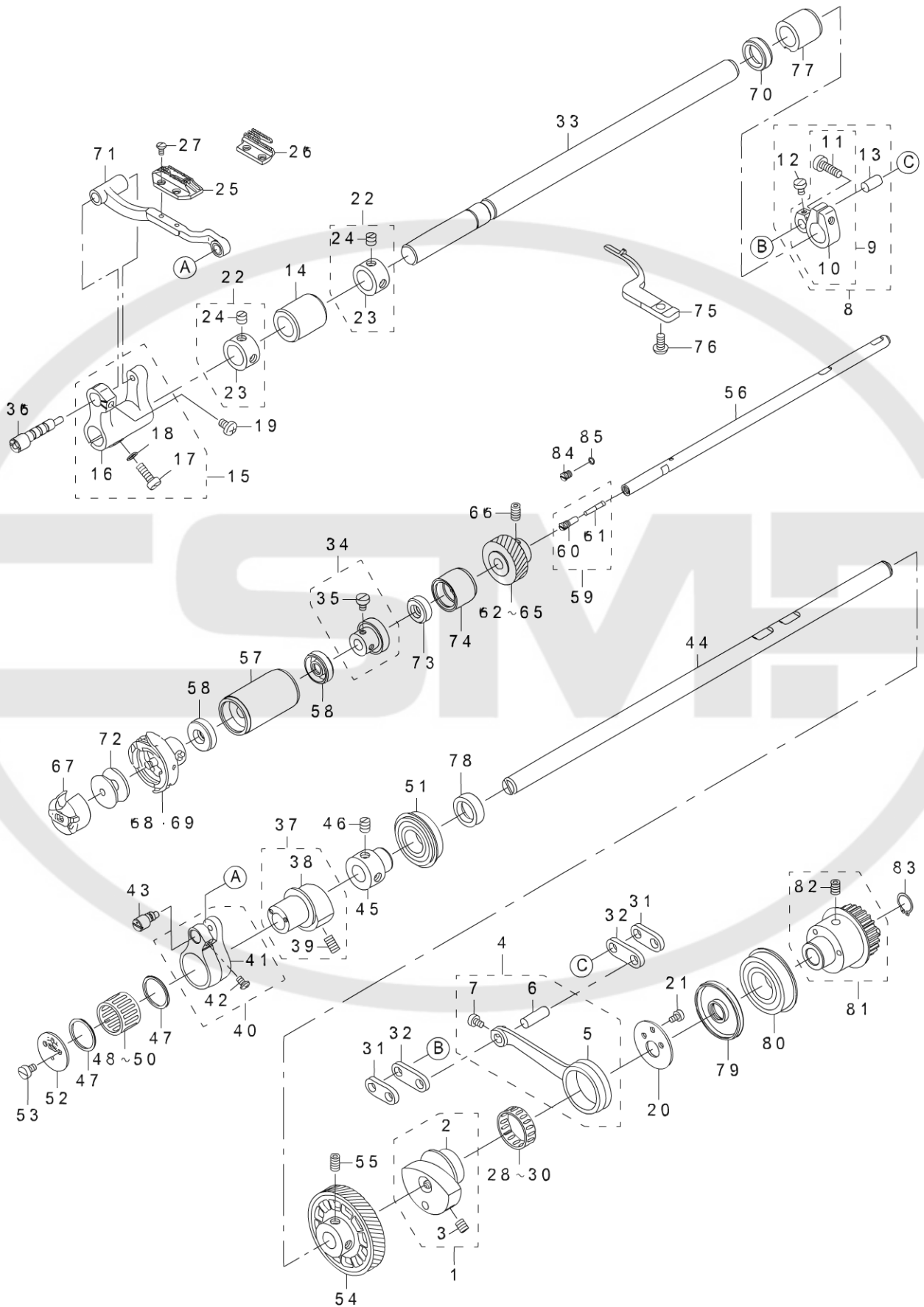


No	note	Parts No.	DESCRIPTION	Qty
1		23609001	BUSHING	1
2		40086606	PRESSER BAR GUIDE BRACKET ASM.	1
3		40086607	PRESSER BAR GUIDE BRACKET	(1)
4		SM6051400SP	SCREW	(1)
5		23609357	LIFTING LEVER CONNECT ROD ASM.	1
6		23609456	LIFTING LINK COMPL.	(1)
7		23609605	PLATE	(1)
8		22908008	LIFTING PLATE	(1)
9		SM6040602TP	SCREW M4 L=6	(1)
10		RE0500000K0	E-RING	(1)
11		RE0500000K0	E-RING	(1)
12		23609308	LIFTING LEVER CONNECT ROD	(1)
13		40086760	CONNECTING ROD	1
14		23609704	LIFTING LEVER LINK	1
15		22907406	PRESSER SPRING	1
16		23610207	PRESSER BAR	1
17		23610306	PRESSER GUIDE BAR	1
18		40037359	PRESSER SPRING REGURATOR ASM.	1
19		40037141	PRESSER SPRING REGULATOR	(1)
20		40037144	PRESSER SPRING REGULATOR NUT	(1)
21		40050583	LINK SHAFT	2
22		22907802	HAND LIFTER	1
23		B1521555000	SCREW	1
24		22908552	HAND LIFTER CAM ASM.	1
25		RO037180100	RUBBER RING	1
26		B15240120BA	PRESSER FOOT ASM.	1
27		SS7091110TP	SCREW 9/64-40 L=10.5	1
28		RE0500000K0	E-RING	3
29		22908909	HINGE SCREW	1
30		40082078	SHOULDER SCREW D=7.24 H=3.3	1
31		NM6060003SE	NUT FOR BRACKET	1
32		40036706	ADJUSTING SCREW	1
33		WP0621016SD	WASHER 6.2X13X1	1
34		22944508	WIRE PRESSER A	2
35		SM4040855SP	SCREW	1
36		SM4040855SP	SCREW	1
37		SM6051402TP	SCREW M5X0.8 L=14	1
38		40086643	WIRE HOLDER	1
39		40050582	TENSION RELEASE SHAFT	1
40		22920300	THREAD RELEASE SUPPORTING PIN	1
41		22920409	THREAD RELEASE PIN SPRING	1
42		23628351	THREAD TENSION RELEASE WIRE	1
43		23628807	TENSION RELEASE RETURN SPRING	1
44		NS6620310SP	NUT 3/16-32	2
45		RE0500000K0	E-RING	2
46	#01	40056622	MINUTE LIFTING DEVICE ASM.	1
47		23611106	HAND LIFTER	(1)
48		23610504	STOPPER BASE	(1)
49		23610652	STOPPER SCREW ASM.	(1)
50		D5119206K0K	SPACER	(2)
51		23610702	STOPPER SCREW NUT	(1)
52		SL6053592TN	BOLT	(1)
53		RO044240100	RUBBER RING	1
54		B3118552F00	TENSION RELEASING PIN	1
55		WP0501016SD	WASHER 5X10.5X1	1

1...#01OPTIONAL PARTS / 2... /

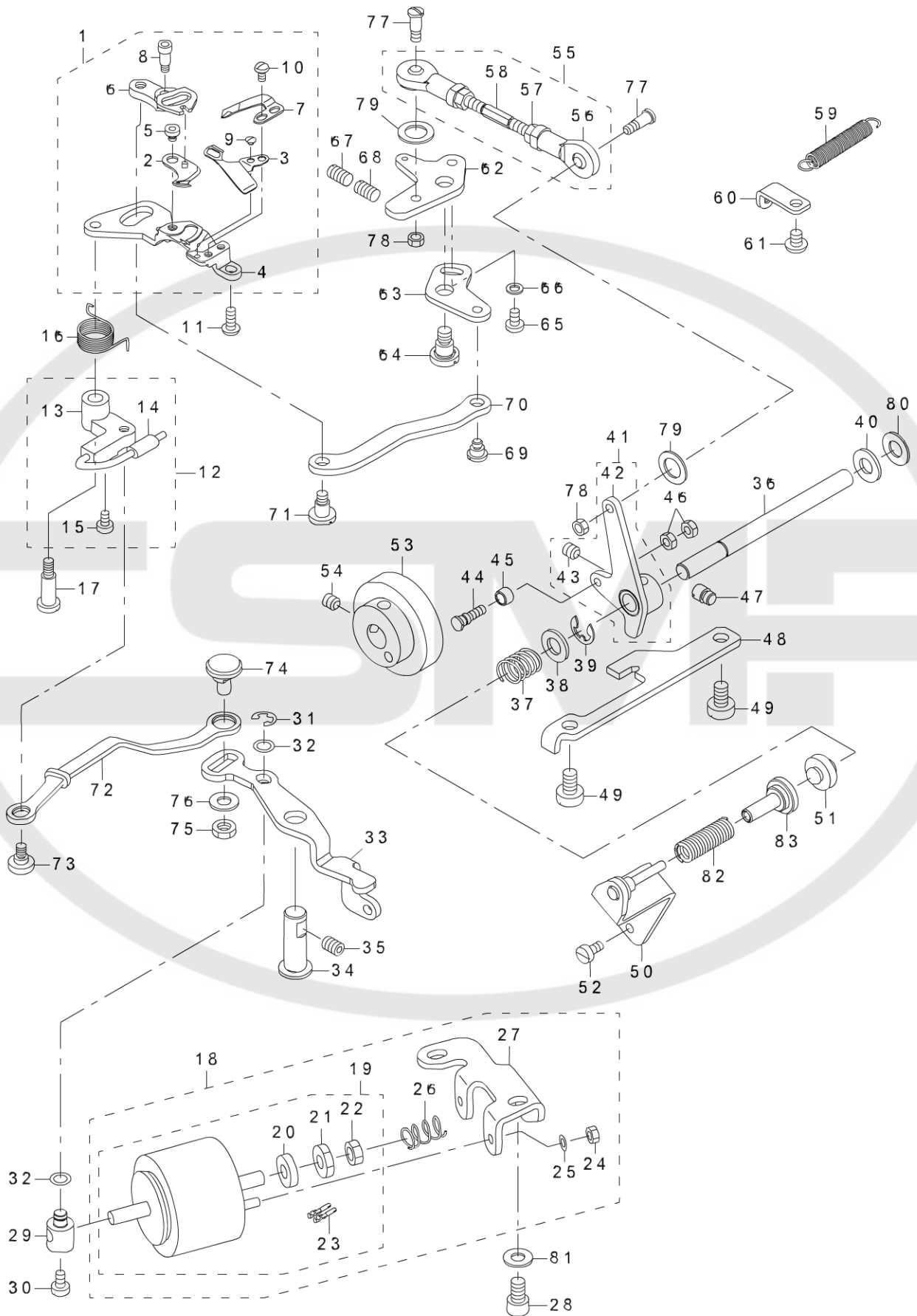


No	note	Parts No.	DESCRIPTION	Qty
1		40086735	ADJUSTING LINK ASM.	1
2		40086695	FEED ADJUSTING LINK	(1)
3		40086696	FEED ADJUSTING LINK PIN	(2)
4		SM80506A2TP	SCREW M5 L=6	(2)
5		40086608	ADJUSTING LINK FULCRUM SHAFT	1
6		SM80606A2TP	SCREW M6 L=6	1
7		40086615	FEED CHANGING SHAFT METAL A	1
8		40086704	FEED CHANGING SHAFT ARM ASM.	1
9		40086705	FEED CHANGING SHAFT ARM	(1)
10		SM6051602TP	SCREW M5X0.8 L=16	(1)
11		22910509	FEED ADJUSTING LINK PIN	(1)
12		40086706	FEED CHANGING SPRING PIN	(1)
13		40086616	FEED CHANGING SHAFT METAL B	1
14		40086614	FEED CHANGING SHAFT	1
15		40086738	REVERSE FEED LEVER	1
16		23613706	FEED LEVER SHAFT	1
17		40086674	FEED LEVER ARM ASM.	1
18		40086675	FEED LEVER ARM	(1)
19		SM6051602TP	SCREW M5X0.8 L=16	(1)
20		40086737	FEED ADJUSTING SPRING	1
21		40086739	FEED LEVER SPRING	1
22		40086609	FEED ADJUSTING ROD	1
23		23630007	TUBE	0.1
24		RE0500000K0	E-RING	1
25		23612609	FEED CHANGING SHAFT OIL SEAL	1
26		SM80608A2TP	SCREW M6 L=8	2
27		22952501	BACK LEVER STOPPER	1
28		SM6051850TP	SCREW M5 L=18	1
29		40141842	FEED REGULATOR SCREW	1
30		40123098	FEED REGULATOR PIN SPRING	1
31		40141839	FEED REGULATOR PIN	1
32		40141840	REGULATOR STOPPER SPRING	1
33		40141838	FEED REGULATOR WASHER	1
34		40141841	REGULATOR PIN DIAL	1
35		SS6121860SP	SCREW 3/16-28 L=18	1
36		40086617	FEED LEVER SHAFT METAL	1
37		40086736	RUBBER PLUG	1
38		SM80606A2TP	SCREW M6 L=6	1
39		23613409	FEED ADJUSTING PIN	1
40		40095847	FEED REGULATOR ASM.	1
41		SM80606A2TP	SCREW M6 L=6	(1)
42		40122891	FEED REGULATOR	(1)
43		RO092270200	RUBBER RING	1
44		40141837	REGULATOR PIN STOPPER	1
45		40086613	FEED REGULATOR STOPPER PIN	2
46		40006716	THREAD TRIMMER SHAFT	1
47		SM80606A2TP	SCREW M6 L=6	1



No	note	Parts No.	DESCRIPTION	Qty
1		40037192	FEED ROCKER CAM ASM.	1
2		23616006	FEED ROCKER CAM	(1)
3		SS8150822TP	SCREW 15/64-28 L=8	(2)
4		40037365	FEED ROCKER ROD ASM.	1
5		40026277	FEED ROCKER ROD	(1)
6		22911101	WALKING FOOT PIN C	(1)
7		SS6090620TP	SCREW	(1)
8		40061246	FEED ROCKER ARM ALL ASM.	1
9		40058504	FEED ROCKER ARM ASM.	(1)
10		40042079	FEED ROCKER ARM	(1)
11		SS6121610SP	SCREW 3/16-28 L=15.5	(1)
12		SS6090620TP	SCREW	(1)
13		22911002	WALKING FOOT PIN B	(1)
14		23616709	FEED ROCKER SHAFT METAL	1
15		40037005	ASSY FEED ROCKER BASE ARM	1
16		40026281	FEED ROCKER BASE ARM	(1)
17		SM6051400SP	SCREW	(1)
18		WP0480856SP	WASHER 4.8X8.4X0.8	(1)
19		SM4050855SP	SCREW	1
20		23616204	FEED ROCKER CAM PLATE	1
21		SS6090670TP	SCREW 9/64-40 L=6	2
22		22904155	MAIN SHAFT THRUST COLLAR ASM.	2
23		22904106	MAIN SHAFT THRUST COLLAR	(1)
24		SS8660610TP	SCREW 1/4-40 L=6	(2)
25	#01	B1613012I00	FEED DOG I	1
26	#02	23614506	FEED DOG A	1
27		SS4080620TP	SCREW 1/8-44 L=6	2
28	#05	B412352200A	NEEDLE BEARING	1
29	#05	B412352200B	NEEDLE ROLLAR	1
30	#05	B412352200C	NEEDLE ROLLAR	1
31		40026278	CONNECTING LINK A	2
32		23616402	CONNECTING LINK B	2
33		23616600	FEED ROCKER SHAFT	1
34		40086743	BEARING SUPPORT ASM.	1
35		SS6110650TP	SCREW 11/64-40 L=5.5	(2)
36		40026282	FEED ROCKER BASE SHAFT	1
37		40000391	VERTICAL FEED CAM ASM. 5	1
38		40000392	VERTICAL FEED CAM 5	(1)
39		SS8151150TP	SCREW 15/64-28 L=10.5	(2)
40		40053720	FEED DRIVING BASE ARM ASM.	1
41		40026287	FEED DRIVING BASE ARM	(1)
42		SM4040655SP	SCREW M4 L=6	(1)
43		40026288	FEED DRIVING BASE SHAFT	1
44		40086757	FEED DRIVING SHAFT	1
45		40086690	FEED DRIVING BEARING SUPPORT	1
46		SS8661012TP	SCREW	2
47		23618101	FEED DRIVING CAM THRUST BUSH	2
48	#05	SB32000060A	BEARING	1
49	#05	SB32000060B	BEARING	1
50	#05	SB32000060C	BEARING	1
51		SB117001200	BEARING	1
52		23618309	FEED DRIVING CAM PLATE	1
53		SS6090670TP	SCREW 9/64-40 L=6	2
54		23620503	GEAR (LARGE)	1
55		SS8661012TP	SCREW	2
56		23620008	HOOK SHAFT	1
57		23620156	HOOK SHAFT METAL COMPL.	1
58		23620206	OIL SEAL	2
59		22916555	OIL SEAL SCREW ASM.	1
60		22916506	SET SCREW	(1)
61		11015906	OIL WICK	(1)
62	#05	23620701	GEAR (SMALL)(A)	1
63	#05	23620800	GEAR (SMALL)(B)	1
64	#05	23620909	GEAR (SMALL)(C)	1
65	#05	23621006	GEAR (SMALL)(D)	1
66		SS8661012TP	SCREW	2
67		D1837555BAAA	BOBBIN CASE ASM.	1
68	#03	11141355	HOOK ASM.	1
69	#04	11038650	HOOK ASM.	1
70		40086740	OIL SEAL	1
71		40030786	FEED BASE COMPL.	1
72		40091141	BOBBIN	1
73		40086744	HOOK DRIVING SHAFT OIL SEAL	1
74		23620404	HOOK SHAFT REAR METAL	1
75		40089607	INNER HOOK HOLDER	1
76		SM4051055SP	SCREW	1
77		40086618	FEED SHAFT REAR METAL	1
78		40086741	OIL SEAL	1
79		40086742	OIL SEAL	1
80		SB120001800	BEARING	1
81		40086730	UNDER SPROCKET ASM.	1
82		SM80608A2TP	SCREW M6 L=8	(2)
83		RC1200001KP	C-SHAPED SNAP RING	1
84	#06	11079506	FRONT SCREW	1
85	#06	RO036080200	RUBBER RING	1

1...#01FOR AA/BB/GG / 2...#02FOR EE / 3...#03FOR BB / 4...#04FOR AA/EE/GG / 5...#05SELECTIVE PARTS / 6...#06OPTIONAL PARTS / 7... / 8...\*ABOUT THE DESTINATION / 9... 仕向地については、見開きの（パーツリストご利用に際して）を参照して下さい。 / 10... /

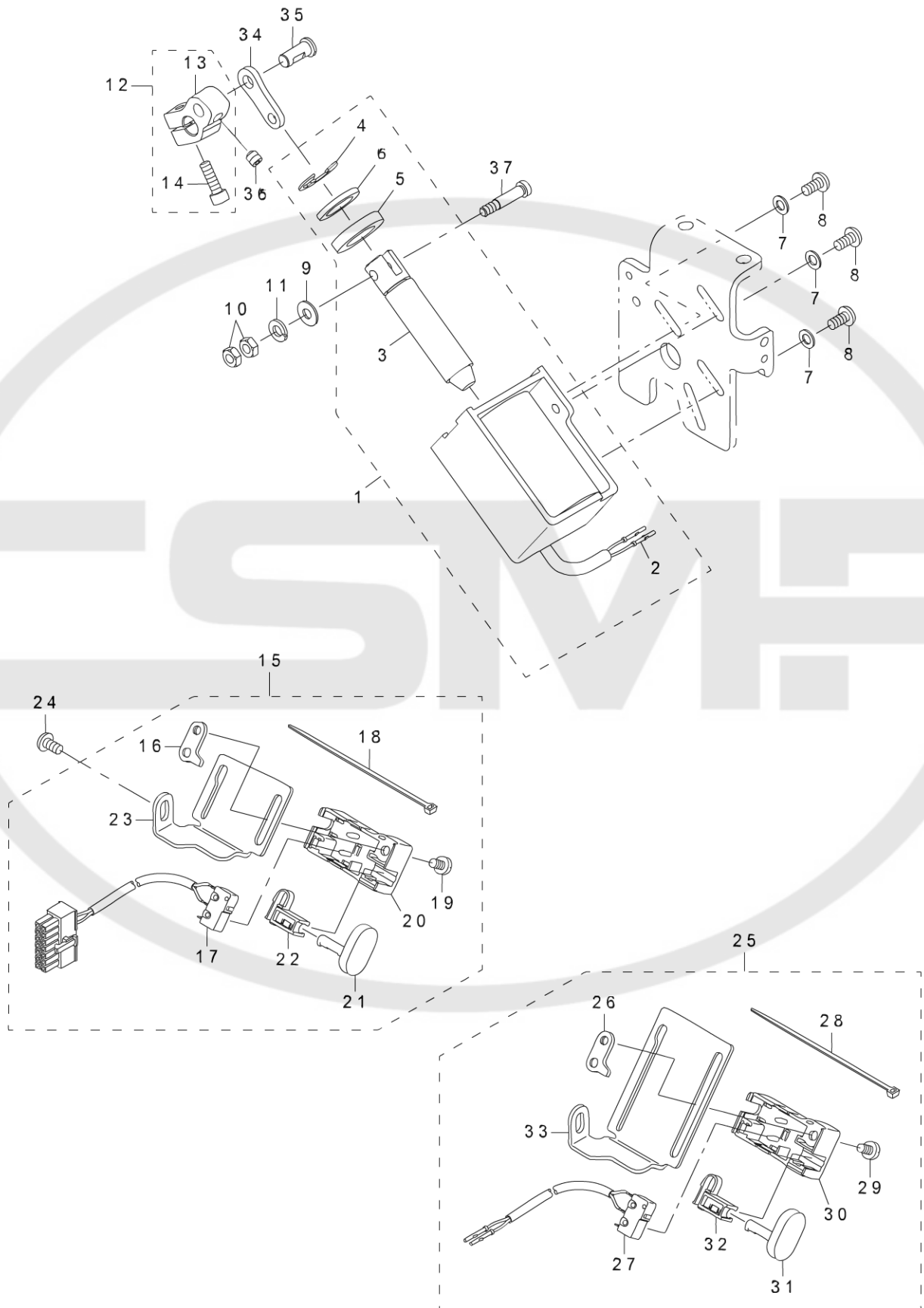


No	note	Parts No.	DESCRIPTION	Qty
1		40050585	KNIFE UNIT	1
2		11040052	MOVING KNIFE ASM.	(1)
3		40044189	THREAD GUIDE FOR KNIFE	(1)
4		22947907	KNIFE MOUNTING BASE	(1)
5		11040409	MOVING KNIFE HINGE SCREW	(1)
6		22948202	FORKED BASE FOR KNIFE	(1)
7		D2406555D0H	COUNTER KNIFE	(1)
8		SD0460703TP	HINGE SCREW D=4.6 H=7	(1)
9		SS2060210SP	SCREW 3/32-56 L=2.3	(1)
10		SS4080620TP	SCREW 1/8-44 L=6	(2)
11		SM4041055SP	SCREW	1
12		40036998	ASSY PICKER ARM	1
13		40061215	PICKER ARM	(1)
14		40036997	ASSY PICKER	(1)
15		SS8090510TP	SCREW 9/64-40 L= 5.0	(2)
16		40029398	PICKER SPRING	1
17		SD0641456TP	SHOULDER SCREW D=6.35 H=14.5	1
18		40086746	ASSY THREAD TRIM SOLENOID	1
19		40089263	THREAD TRIMMER SOLENOID	(1)
20		11043304	SOLENOID RUBBER	(1)
21		NS6660410SH	NUT	(1)
22		NS6660430SP	NUT 1/4-40	(1)
23		HK03464000B	PIN CONTACT	(2)
24		NM6040000SN	NUT M4	(2)
25		WP0430800SC	WASHER M4	(2)
26		40089672	SPRING	(1)
27		40086727	SOLEOID INSTALLING BASE	(1)
28		SM6061002TP	SCREW M6 L=10	2
29		40086711	SOLENOID PIN	1
30		SS6110710TP	SCREW 11/64-40 L=6.5	1
31		RE0500000K0	E-RING	1
32		10618304	WASHER	2
33		40086634	CLUTCH PLATE	1
34		40086635	CLUTCH SHAFT	1
35		SM8060812TP	SCREW M6 L=8	1
36		40086622	THREAD TRIMMER SHAFT	1
37		31256803	SPRING	1
38		WP0841600SD	WASHER M8	1
39		RE0700000K0	E-RING 7	1
40		B1116804000	RUBBER WASHER	1
41		40095843	ASSY CAM FOLLOWER	1
42		40086624	CAM FOLLOWER ASM.	(1)
43		SM80606A2TP	SCREW M6 L=6	(2)
44		40086748	ROLLER SHAFT	1
45		40015671	CAM ROLLER	1
46		NM6040001SP	NUT M4X0.7	2
47		40086623	STOPPER SCREW	1
48		40086636	CAM FOLLOWER STOPPER	1
49		SM6061010TP	SCREW M6 L=10	2
50		40095870	THREAD TRIMMER STOPPER ASM.	1
51		B1116210D00	STOPPER RUBBER	1
52		SM6040800SP	SCREW	2
53		40086747	THREAD TRIMMER CAM	1
54		SM80608A2TP	SCREW M6 L=8	2
55		40086708	CONNECTING ROD ASM.	1
56		40086710	ROD END	(2)
57		NM6050001SC	NUT M5	(2)
58		40086709	CONNECTING BAR	(1)
59		26226209	SPRING	1
60		40086621	SPRING RACK	1
61		SM4050655SP	SCREW M5 L=6	1
62		40086631	THREAD TRIMMER LINK A	1
63		40086632	THREAD TRIMMER LINK B	1
64		40086633	SHOULDER SCREW	1
65		SS7110740TP	SCREW 11/64-40 L=7	1
66		WP0450801SP	WASHER	1
67		SM8061050TP	SCREW	1
68		SM8061010TP	SCREW	1
69		SD0640321SP	HINGE SCREW D= 6.35 H=3.2	1
70		40086628	MOVING KNIFE LINK	1
71		SD0640631TP	HINGE SCREW D=6.35 H=6.3	1
72		40086637	PICKER LINK ASM.	1
73		SD0630275SP	HINGE SCREW D= 6.35 H= 2.7	1
74		22950000	PICKER LINK PIN	1
75		NS6150310SP	NUT 15/64-28	1
76		WP0621016SH	WASHER	1
77		SD0500701TP	SHOULDER SCREW	2
78		NS6110310SP	NUT 11/64-40	2
79		40086712	CONNECTING ROD FELT	2
80		40090099	WASHER	1
81		WP0621016SD	WASHER 6.2X13X1	2
82		40095218	THREAD TRIMMER STOPPER SPRING	1
83		40095873	THREAD TRIMMER STOPPER BUSH	1





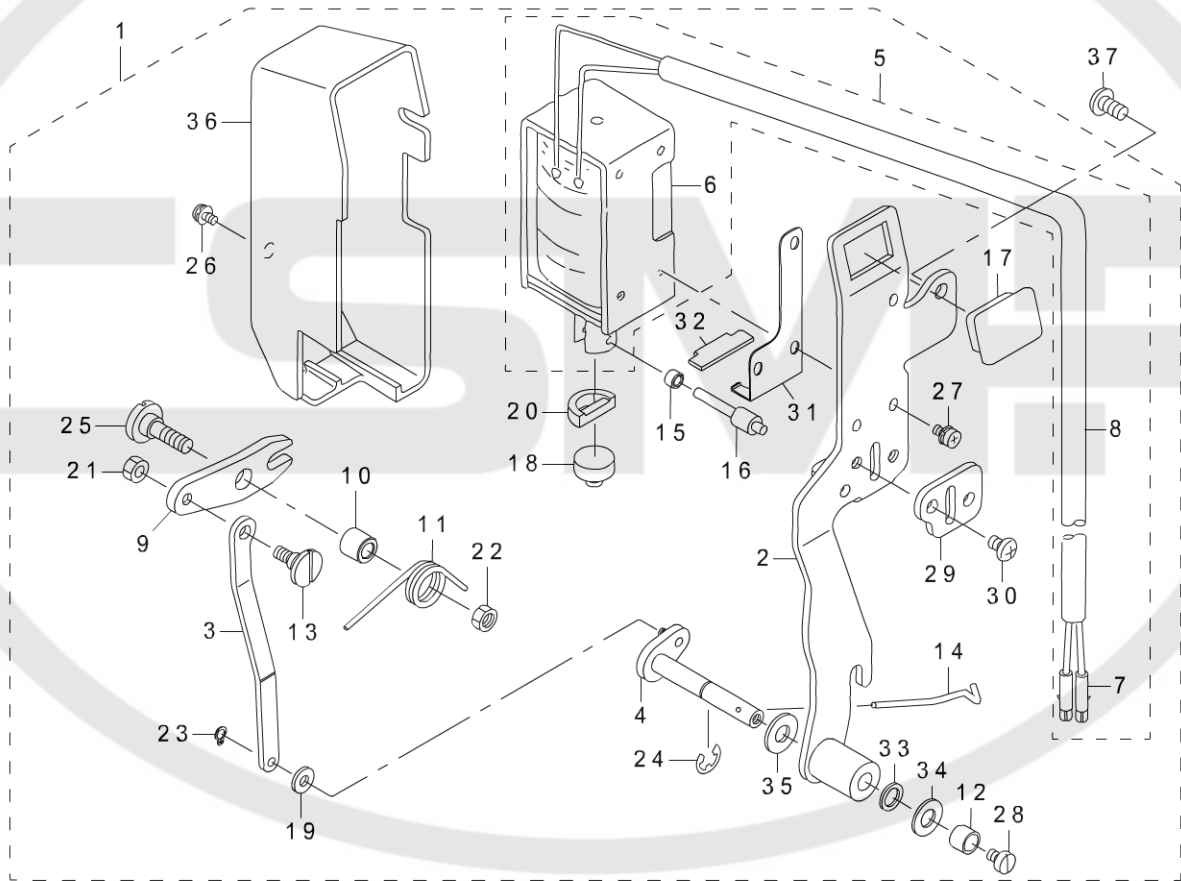
No	note	Parts No.	DESCRIPTION	Qty
1		40082059	GEAR BOX COVER ASM.	1
2		40082060	GEAR BOX COVER	(1)
3		40034246	OIL SIGHT WINDOW	(1)
4		RO195240100	RUBBER RING	(1)
5		13171004	DRAIN SCREW	(1)
6		13170105	RUBBER RING	(1)
7		23629256	OIL WICK SUPPORT ASM.	1
8		23629207	OIL WICK SUPPORT	(1)
9		CQ250000001	OIL WICK	(0.25)
10		23629306	PIPE STOPPER A	3
11		23629405	PIPE STOPPER B	4
12		40037166	GEAR BOX PACKING	1
13		40000344	LUBRICATING INLET CAP	1
14		SQ2050453MZ	CONNECTING SCREW	2
15		40086648	FLOATER ASM.	1
16		RO068190100	RUBBER RING	1
17		23630007	TUBE	0.57
18		23630007	TUBE	0.08
19		23630007	TUBE	0.11
20		CQ200000001	OIL WICK	0.75
21		23630106	TUBE B	0.165
22		23630106	TUBE B	0.2
23		40075404	FACE FELT ASM.	1
24		22925101	OIL FELT PRESSER	1
25		RO098240100	RUBBER RING	1
26		RO172180100	RUBBER RING	1
27		SL6061292TN	SCREW	3
28		SL6051492TN	BOLT	9
29		SM5040655SN	SCREW	1
30		40013595	OIL EXIT CAP	1
31		40098329	OIL TANK	1
32		40086646	FLOATER CASE ASM.	1
33		40086647	FLOATER CASE	(1)
34		23630403	OIL FILTER	(1)
35		23630502	OIL FILTER STOPPER	(1)
36		23628902	PLUNGER SPRING	1
37		40038328	PLUNGER SCREW	1
38		40037502	OIL ADJUSTING SCREW	1
39		RO037180100	RUBBER RING	1
40		23628803	PLUNGER	1
41		40086693	FROATER CASE GUIDE	1
42		SL6040892TN	BOLT	1
43		SL6051492TN	BOLT	1
44		RO048190100	RUBBER RING	1
45		SM4040601SC	SCREW M4X0.7 L=6	1
46		40082061	MAGNET HOLDER	1
47		B8228125000	OIL RESERVOIR MAGNET	2
48		40086697	FLOATER SIGHT WINDOW B	1



No	note	Parts No.	DESCRIPTION	Qty
1		40086750	REVERSE FEED SOLENOID ASM.	1
2		HK03464000B	PIN CONTACT	(2)
3		40086753	REVERSE FEED SOLENOID PLUNGER	(1)
4		RE1200000K0	E-RING 12	(1)
5		D2468555B00	RUBBER PLUNGER	(1)
6		WP1602616SZ	WASHER 16X24X2.6	(1)
7		WP0550800SP	WASHER 5.5X10X0.8	3
8		SM4051055SP	SCREW	3
9		WP0551016SH	WASHER 5.5X13X1	1
10		NM6050001SP	NUT M5	2
11		WS0610002KN	SPRING WASHER 6.1X12.2X1.5	1
12		40095844	REVERSE FEED ARM ASM.	1
13		40086698	REVERSE FEED ARM	(1)
14		SM6051602TP	SCREW M5X0.8 L=16	(1)
15		23631757	REVERSE FEED SWITCH ASM.	1
16		23632102	REVERSE FEED SWITCH BASE GUIDE	(1)
17		23632359	REVERSE FEED CORD ASM.	(1)
18		EA9500B0100	CABLE BAND	(1)
19		SS7110740TP	SCREW 11/64-40 L=7	(1)
20		23631708	REVERSE FEED SWITCH COVER	(1)
21		23631807	REVERSE FEED SWITCH SHAFT	(1)
22		23631906	REVERSE FEED SWITCH SUPPORT	(1)
23		23632003	REVERSE FEED SWITCH BASE	(1)
24		SM4051055SP	SCREW	1
25	#01	23632656	OPTION SWITCH ASM.	1
26		23632102	REVERSE FEED SWITCH BASE GUIDE	(1)
27		23632250	REVERSE FEED CORD ASM.	(1)
28		EA9500B0100	CABLE BAND	(1)
29		SS7110740TP	SCREW 11/64-40 L=7	(1)
30		23631708	REVERSE FEED SWITCH COVER	(1)
31		23631807	REVERSE FEED SWITCH SHAFT	(1)
32		23631906	REVERSE FEED SWITCH SUPPORT	(1)
33		23632607	OPTION SWITCH BASE	(1)
34		40086655	REVERSE FEED CONNECTION LINK	1
35		40086699	REVERSE FEED LINK PIN	1
36		SM8480652TP	SCREW	1
37		40086759	BACK SOLENOID PLUNGER PIN	1

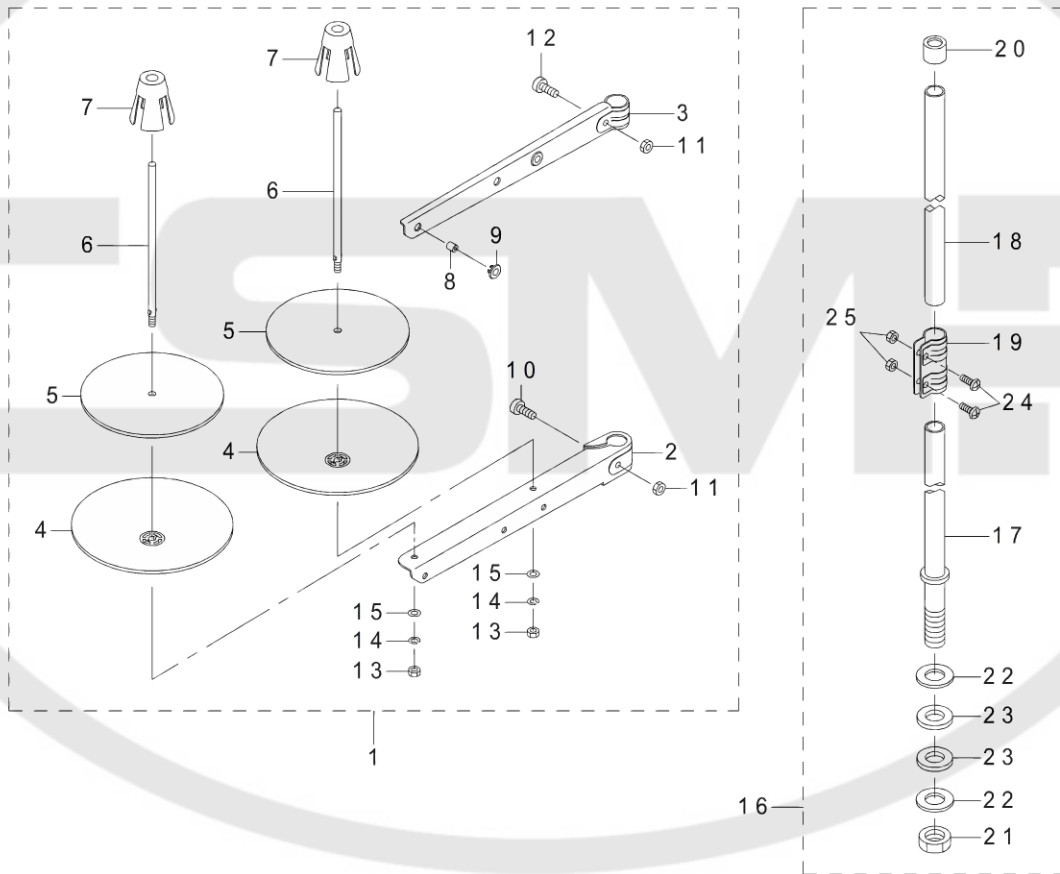
1...#01OPTIONAL PARTS / 2... /





No	note	Parts No.	DESCRIPTION	Qty
1		40086676	WIPER ASM.	1
2		40077853	WIPER BASE ASM.	(1)
3		40086723	WIPER LINK B	(1)
4		40086724	WIPER SHAFT ASM.	(1)
5		40095175	WIPER SOLENOID ASM.	(1)
6		40089264	WIPER SOLENOID	(1)
7		HK03464000B	PIN CONTACT	(2)
8		HW500070000	2-CORE CABTYRE CORD	(1.3)
9		22956106	WIPER LINK A	(1)
10		22956205	WIPER HINGE SCREW COLLAR	(1)
11		22956304	WIPER SPRING	(1)
12		22956809	WIPER COLLAR	(1)
13		22956908	WIPER LINK B HINGE SCREW	(1)
14		22957005	WIPER	(1)
15		22957203	WIPER LINK COLLAR	(1)
16		40077852	WIPER SOLENOID SHAFT	(1)
17		40086678	WIPER SW RUBBER	(1)
18		22955900	WIPER RUBBER A	(1)
19		40086717	FELT B	(1)
20		22956007	WIPER RUBBER B	(1)
21		NS6090310SP	NUT 9/64-40	(1)
22		NS6110310SP	NUT 11/64-40	(1)
23		RC0370411KP	RETAINING RING	(1)
24		RE0500000K0	E-RING	(1)
25		SD0650321TP	HINGE SCREW D=6.5 H=3.2	(1)
26		SL4030631SC	SCREW M3X6	(1)
27		SL4030641SE	SCREW	(3)
28		SS6090540SP	SCREW 9/64-40 L=5.0	(1)
29		40077851	WIPER SOLENOID SHAFT GUIDE	(1)
30		SS4110615SP	SCREW 11/64-40 L=6	(2)
31		40086680	WIPER STOPPER RUBBER HOLDER	(1)
32		40086679	WIPER STOPPER RUBBER	(1)
33		WP0661016SP	WASHER	(1)
34		WP0651001SC	WASHER	(1)
35		40086716	FELT A	(1)
36		22955504	WIPER COVER	(1)
37		SM4051055SP	SCREW	1



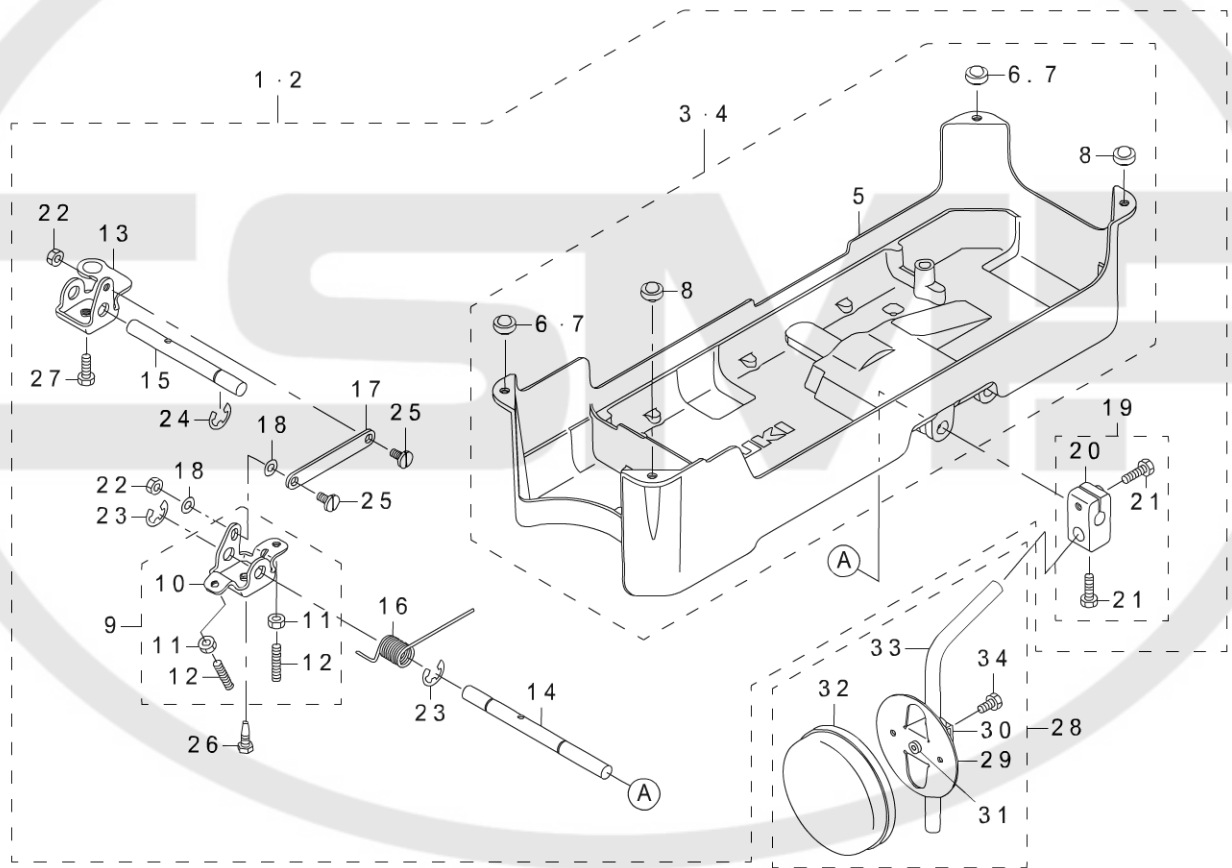




No	note	Parts No.	DESCRIPTION	Qty
1		40108401	THREAD STAND A	1
2		40085786	SPOOL REST ARM (LOWER)	(1)
3		40085787	SPOOL REST ARM (UPPER)	(1)
4		40085788	SPOOL REST	(2)
5		40085789	SPOOL REST CUSHION	(2)
6		40085790	SPOOL PIN	(2)
7		40085791	SPOOL RETAINER	(2)
8		40085794	THREAD GUIDE	(2)
9		40085795	THREAD GUIDE BUSHING	(2)
10		40096326	SPOOL REST ARM LOWER SCREW	(1)
11		NM6050001SE	NUT M5	(2)
12		40096327	SPOOL REST ARM UPPER SCREW	(1)
13		NM6050001SE	NUT M5	(2)
14		WS0510002KN	SPRING WASHER M5	(2)
15		WP0531001SC	WASHER M5	(2)
16		40108402	THRED STAND B	1
17		40085784	SPOOL REST ROD LOWER	(1)
18		40085785	SPOOL REST ROD UPPER	(1)
19		40085792	SPOOL REST ROD JOINT	(1)
20		40085793	SPOOL REST ROD RUBBER CAP	(1)
21		40096325	SPOOL REST ROD NUT	(1)
22		WP1612616SE	WASHER 16X30X2.6	(2)
23		40085796	SPOOL REST ROD RUBBER CUSHION	(2)
24		SM4051405SE	SCREW M5 L=14	(2)
25		NM6050001SE	NUT M5	(2)

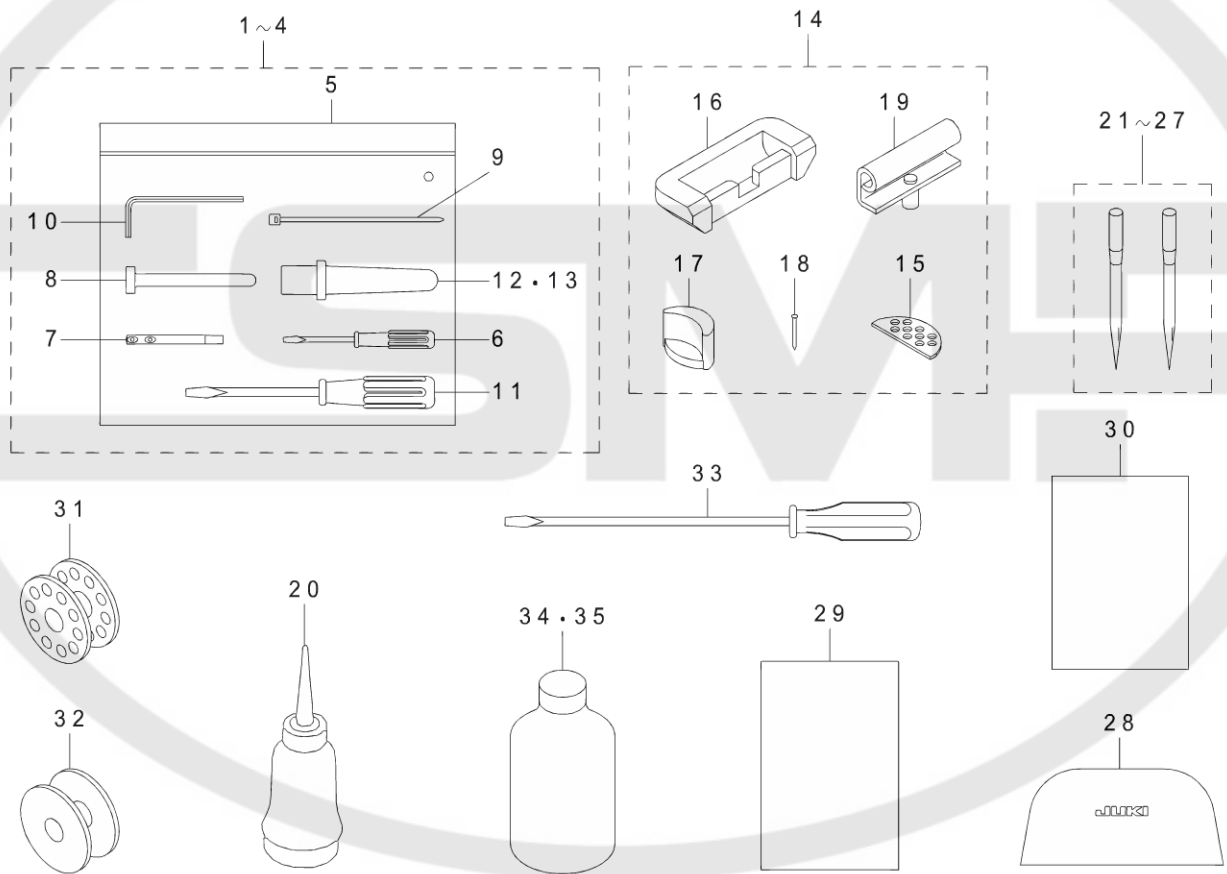
1... /





No	note	Parts No.	DESCRIPTION	Qty
1	#01	40089665	UNDER COVER AH ASM.	1
2	#02	40062321	UNDER COVER A ASM.	1
3	#01	40089671	UNDER COVER BH ASM.	(1)
4	#02	40062323	UNDER COVER B ASM.	(1)
5		23639008	UNDER COVER	(1)
6	#01	22932008	RUBBER CUSHION	(2)
7	#02	B1116210D00	FRAME SUPPORT RUBBER	(2)
8		B1116210D00	FRAME SUPPORT RUBBER	(2)
9		23639156	BRACKET ASM.	(1)
10		23639107	BRACKET	(1)
11		NM6060001SE	NUT M6	(2)
12		SM8063012TR	SCREW M6 L=30	(2)
13		23639206	CONNECTING ROT	(1)
14		23639305	KNEE PRESS ROD	(1)
15		23639404	SHAFT	(1)
16		23639503	SPRING	(1)
17		23639602	CONNECTING ROD	(1)
18		WP0650876SD	WASHER 6.5X13X0.8	(2)
19		22932453	BRACKET ASM.	(1)
20		22932404	BRACKET	(1)
21		SM9062053SR	SCREW M6 L=20	(2)
22		NS6150310SP	NUT 15/64-28	(2)
23		RE1000000K0	E-RING 10	(2)
24		RE1000000K0	E-RING 10	(1)
25		SD0720331SP	HINGE SCREW D=7.24 H=3.3	(2)
26		SM9061853SR	SCREW M6 L=17.5	(1)
27		SM9061853SR	SCREW M6 L=17.5	(1)
28		22934251	KNEE PAD PLATE ASM.	1
29		22934202	KNEE PAD PLATE	(1)
30		22934301	KNEE PAD PLATE SUPPORT	(1)
31		22934400	KNEE PAD PLATE RUBBER	(1)
32		22934509	KNEE PAD PLATE COVER	(1)
33		22934608	KNEE PAD UPRIGHT SHAFT	(1)
34		SM9061203SE	SCREW M6 L=12	(1)

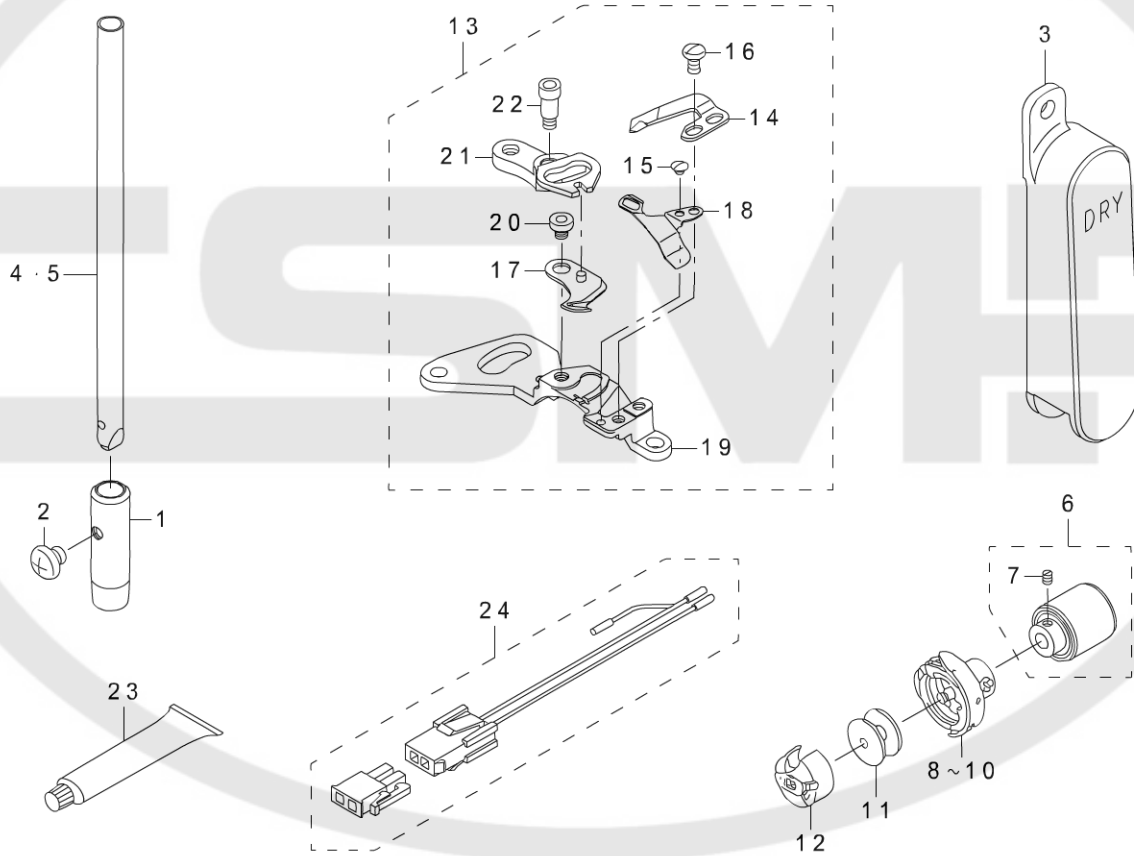
1...#01FOR DDL-9000B-SH / 2...#02EXCEPT DDL-9000B-SH / 3... /



No	note	Parts No.	DESCRIPTION	Qty
1	#02	40089663	ACCESSORIE BAG ASM.	1
2	#01	40091140	ACCESSORIE BAG AK ASM.	1
3	#04	40099736	ACCESSORIE BAG ASM. 2	1
4	#05	40099737	ACCESSORIE BAG AK ASM. 2	1
5		22932800	ACCESSORIE BAG	(1)
6	#06	22933204	SCREW DRIVER (SMALL)	(1)
7		22502504	THREAD GUIDE BAR	(1)
8		23639701	KNEE LIFTER PRESSER ROD	(1)
9		EA9500B0100	CABLE BAND	(1)
10		40055591	HEXAGONAL WRENCH KYE	(1)
11	#06	22933105	SCREW DRIVER (MIDDLE)	(1)
12	#02	22931604	FRAME SUPPORT BAR	(1)
13	#01	40024081	HEAD SUPPORT ROD	(1)
14		22958052	RUBBER HINGE ASM.	1
15		22926505	WASHER	(2)
16		22926000	RUBBER CUSHION	(2)
17		22958003	FRAME BUBBER CUSHION	(2)
18		22926208	NAIL	(8)
19		22926356	HINGE COMPL.	(2)
20		B91210120A0	OILER ASM.	1
21	#03	MDB100B1100	NEEDLE DBX1 #11	1
22	#03	MDB100B0900	NEEDLE DBX1 #9	1
23	#03	MDB100B2100	NEEDLE DBX1 #21	1
24	#03	MDB100B1400	NEEDLE DBX1 #14	1
25	#03	MC200501300	NEEDLE 134 NM130	1
26	#03	MC200500650	NEEDLE 134 NM65	1
27	#03	MC200500750	NEEDLE 134 NM75	1
28		40070090	HEAD COVER	1
29	#06	40089323	DDL-9000B SETUP DOCUMENT	1
30	#03	CM600100201	WEEE INFORMATION SHEET	1
31	#03	B9117012000	BOBBIN	1
32	#03	40091141	BOBBIN	1
33	#06	22933006	SCREW DRIVER (LARGE)	1
34	#03	MDFRX1600C0	DEFRIX OIL NO.1(600CC)	1
35	#03	MML007600CA	JUKI MACHINE OIL 7	1

1...#01TYPE AK / 2...#02EXCEPT TYPE AK / 3...#03VARIOUS NOS.FOR DESTINATIONS / 4...#04FOR CHINA (EXCEPT TYPE AK) / 5...#05FOR CHINA (TYPE AK) / 6...#06EXCEPT CHINA / 7... /



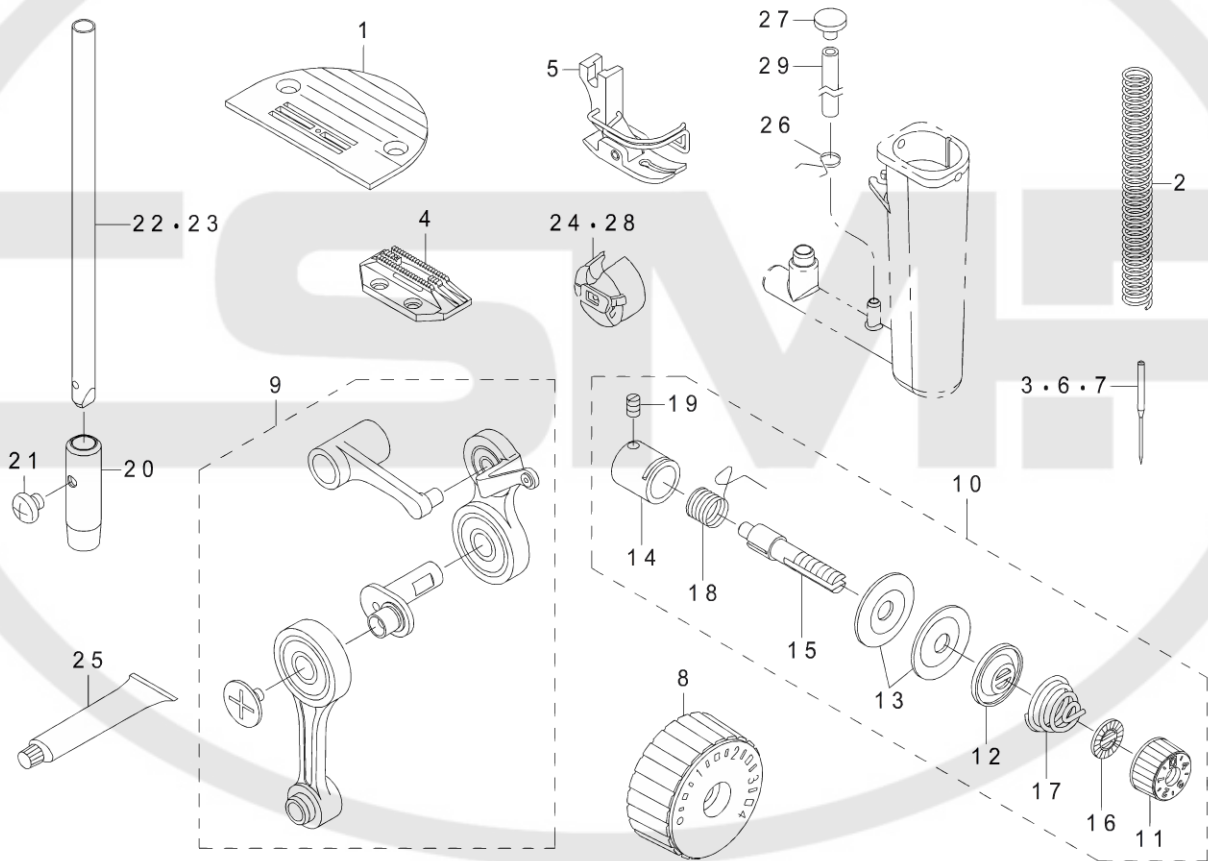


No	note	Parts No.	DESCRIPTION	Qty
1		40086605	NEEDLE BAR LOWER METAL MD	1
2		SM4050501SC	SCREW M5X0.8 L=5	1
3		40037146	FLOATER SIGHT WINDOW D	1
4	#02	40086604	NEEDLE BAR D (B)	1
5	#05	40086602	NEEDLE BAR D (A)	1
6		40089274	HOOK SHAFT FRONT BEARING COMPL.	1
7		SS6110420TP	SCREW 11/64-40 L=4.8	(2)
8	#02	22890404	RP HOOK C	1
9	#03	22890206	RP HOOK	1
10	#01	22890305	RP HOOK S	1
11		40091141	BOBBIN	1
12		22896252	BOBBIN CASE ASM.	1
13		40050586	KNIFE UNIT D	1
14		22895908	COUNTER KNIFE	(1)
15		SS2060210SP	SCREW 3/32-56 L=2.3	(1)
16		SS4080620TP	SCREW 1/8-44 L=6	(2)
17		11040052	MOVING KNIFE ASM.	(1)
18		40050588	THREAD GUIDE FOR KNIFE D	(1)
19		22947907	KNIFE MOUNTING BASE	(1)
20		11040409	MOVING KNIFE HINGE SCREW	(1)
21		22896005	FORKED BASE FOR KNIFE	(1)
22		SD0460703TP	HINGE SCREW D=4.6 H=7	(1)
23	#04	40006323	JUKI GREASE A TUBE	1
24		40050581	JOINT CABLE ASM.	1

1...#01FOR DDL-9000B-DS AA / 2...#02FOR DDL-9000B-DS BB / 3...#03FOR DDL-9000B-DS EE/GG / 4...#04FOR OPTIONAL PARTS / 5...#05FOR DDL-9000B-DS AA/EE/GG / 6... / 7...\*ABOUT THE DESTINATION / 8... 仕向地については、見開きの (パーツリストご利用に際して) を参照して下さい。 / 9... / 10... /



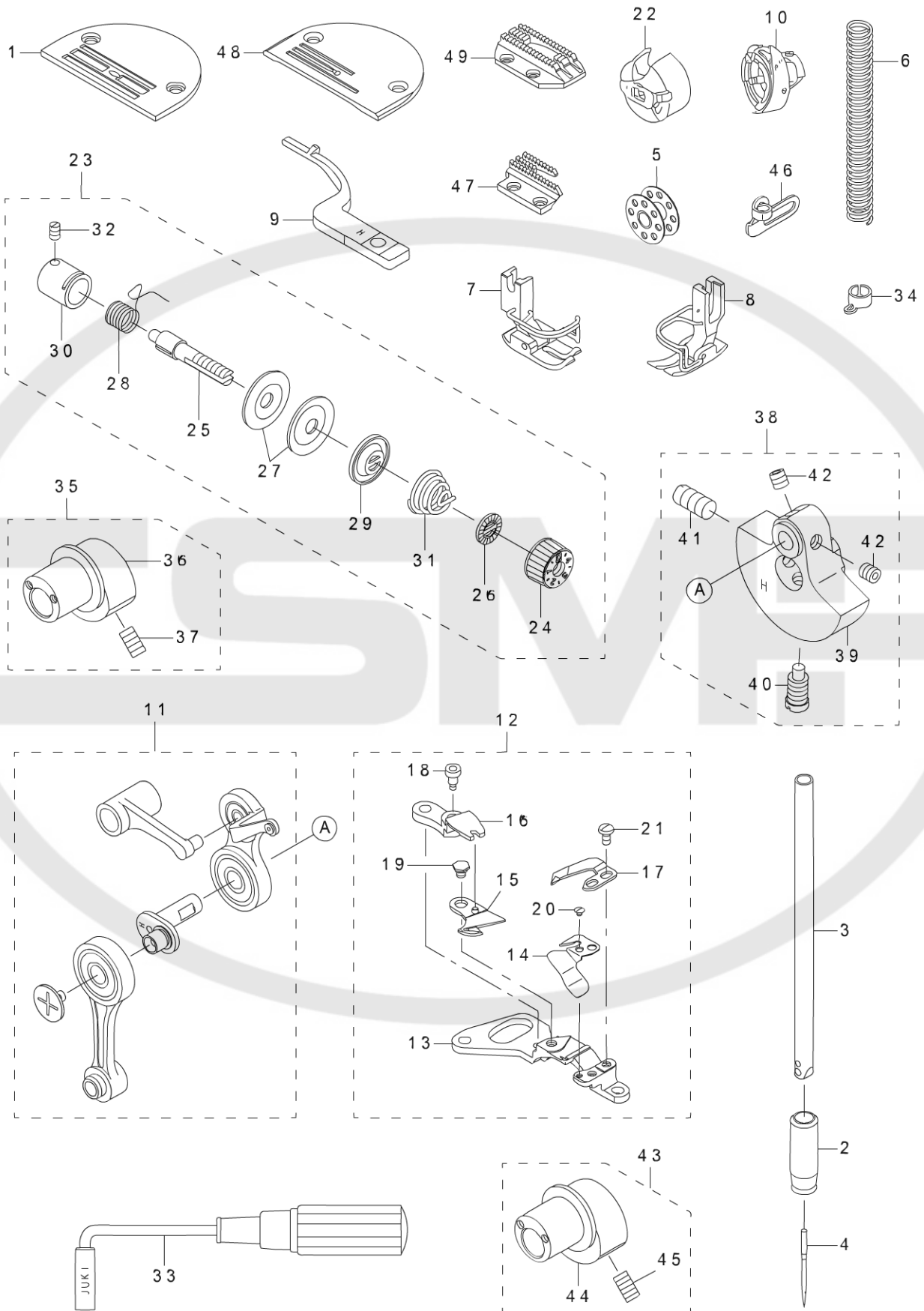




No	note	Parts No.	DESCRIPTION	Qty
1	#05	11001906	THROAT PLATE K	1
2	#03	11162104	SPRING	1
3	#07	MDB100B1100	NEEDLE DBX1 #11	1
4	#05	D1613155W00	FEED DOG W	1
5	#06	D1524555DBB	PRESSER FOOT ASM.	1
6	#08	MDB100B0900	NEEDLE DBX1 #9	1
7	#04	MC200500650	NEEDLE 134 NM65	1
8	#03	40141843	REGULATOR PIN DIAL 4	1
9	#03	40037439	THREAD TAKE UP COMP. A	1
10	#03	40037479	THREAD TENSION DISK ASM. A	1
11		23626005	THREAD TENSION NUT	(1)
12		B3132552000	THREAD TENSION DISK PRESSER	(1)
13		B3126012000	THREAD TENSION DISK	(2)
14		40024845	TENSION POST SOCKET ASM.	(1)
15		B3115552000	TENSION POST	(1)
16		B3120125000	ROTATING STOPPER	(1)
17		D3129555D00	THREAD TENSION SPRING	(1)
18		D3128555D00	TAKE-UP SPRING	(1)
19		SS8090670SP	SCREW 9/64-40 L= 5.5	(1)
20		40086605	NEEDLE BAR LOWER METAL MD	1
21		SM4050501SC	SCREW M5X0.8 L=5	1
22	#09	40086604	NEEDLE BAR D (B)	1
23	#10	40086602	NEEDLE BAR D (A)	1
24	#03	40000264	BOBBIN CASE ASM.	1
25	#01	40006323	JUKI GREASE A TUBE	1
26		23629306	PIPE STOPPER A	1
27		40042086	CAP	1
28	#02	D1837555BAAA	BOBBIN CASE ASM.	1
29		23630007	TUBE	0.07

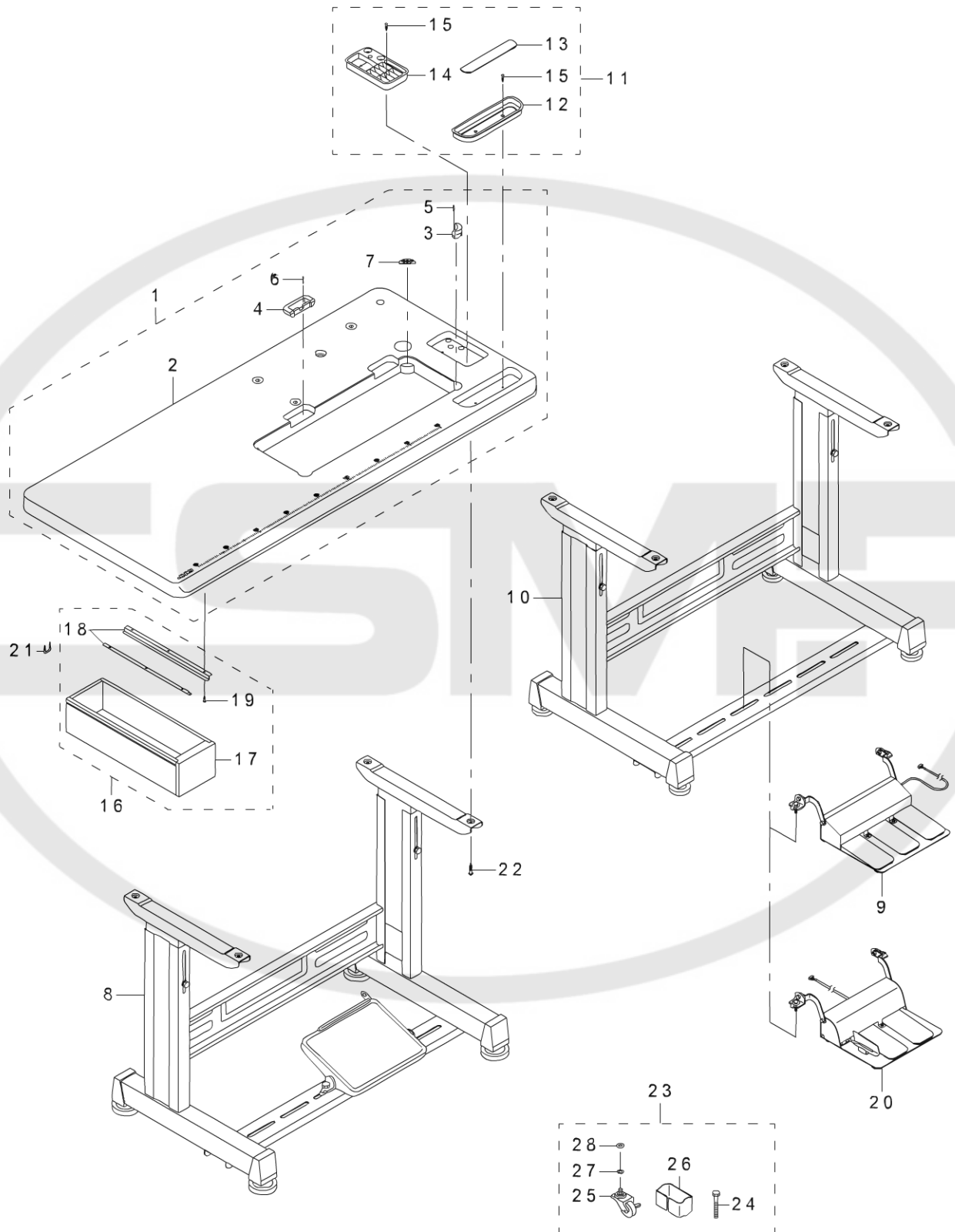
1...#01OPTIONAL PARTS / 2...#02FOR DDL-9000B-MS / 3...#03FOR DDL-9000B-MA / 4...#04FOR DDL-9000B-MA BB / 5...#05FOR DDL-9000B-MA EE / 6...#06FOR DDL-9000B-MA AA/BB/EE / 7...#07FOR DDL-9000B-MA GG / 8...#08FOR DDL-9000B-MA AA/EE / 9...#09FOR DDL-9000B-MS MA/BB / 10...#10FOR DDL-9000B-MS MA/AA/EE/GG / 11... / 12...\*ABOUT THE DESTINATION / 13... 仕向地については、見開きの（パーツリストご利用に際して）を参照して下さい。 / 14... /





No	note	Parts No.	DESCRIPTION	Qty
1	#01	40089605	THROAT PLATE J	1
2		40107708	NEEDLE BAR METAL LOWER H	1
3		40061767	NEEDLE BAR H	1
4	#03	MDB100B2100	NEEDLE DBX1 #21	1
5		B9117012000	BOBBIN	1
6		B1505552000A	PRESSER SPRING	1
7	#01	D1524555EBL	PRESSER FOOT ASM.	1
8		40064839	PRESSER FOOT ASM.	1
9		40089610	INNER HOOK HOLDER H	1
10		11092251	LUBRICATING BOBBIN ASM.	1
11		40055604	THREAD TAKE UP COMP. H	1
12		40050587	KNIFE UNIT H	1
13		11095502	KNIFE MOUNT BASE	(1)
14		40044190	THREAD GUIDE FOR KNIFE H	(1)
15		11409257	MOVING KNIFE J ASM.	(1)
16		40009894	FORKED BASE FOR KNIFE	(1)
17		40050589	FIX KNIFE H	(1)
18		SD0460703TP	HINGE SCREW D=4.6 H=7	(1)
19		SD0500131TP	HINGE SCREW D=5 H=1.25	(1)
20		SS2060210SP	SCREW 3/32-56 L=2.3	(1)
21		SS4080620TP	SCREW 1/8-44 L=6	2
22		40000264	BOBBIN CASE ASM.	1
23		40037313	THREAD TENSION DISK ASM. H	1
24		23626005	THREAD TENSION NUT	(1)
25		B3115552000	TENSION POST	(1)
26		B3120125000	ROTATING STOPPER	(1)
27		B3128012000	THREAD TENSION DISK	(2)
28		B3128012000	TAKE-UP SPRING	(1)
29		B3132552000	THREAD TENSION DISK PRESSER	(1)
30		40024845	TENSION POST SOCKET ASM.	(1)
31		B3114232000	THREAD TENSION SPRING	(1)
32		SS8090670SP	SCREW 9/64-40 L=5.5	(1)
33	#04	J1063000000	WRENCH	1
34		40024124	NEEDLE BAR THREAD GUIDE	1
35		23619059	VERTICAL FEED CAM H ASM.	1
36		23619000	VERTICAL FEED CAM H	(1)
37		SS8151150TP	SCREW 15/64-28 L=10.5	(2)
38		40055058	ASSY COUNTER WEIGHT H	1
39		40053411	COUNTER WEIGHT H	(1)
40		40004171	COUNTER WEIGHT SCREW	(1)
41		SM8081652TP	SCREW M8 L=16	(1)
42		SM80606A2TP	SCREW M6 L=6	(2)
43	#04	40069369	VERTICAL FEED CAM ASM. 2.0	1
44		40069370	VERTICAL FEED CAM 2.0	(1)
45		SS8151150TP	SCREW 15/64-28 L=10.5	(2)
46		40063697	ARM THREAD GUIDE A H	1
47	#02	11062601	FEED DOG	1
48	#02	11062007	THROAT PLATE A	1
49	#01	11403003	FEED J	1

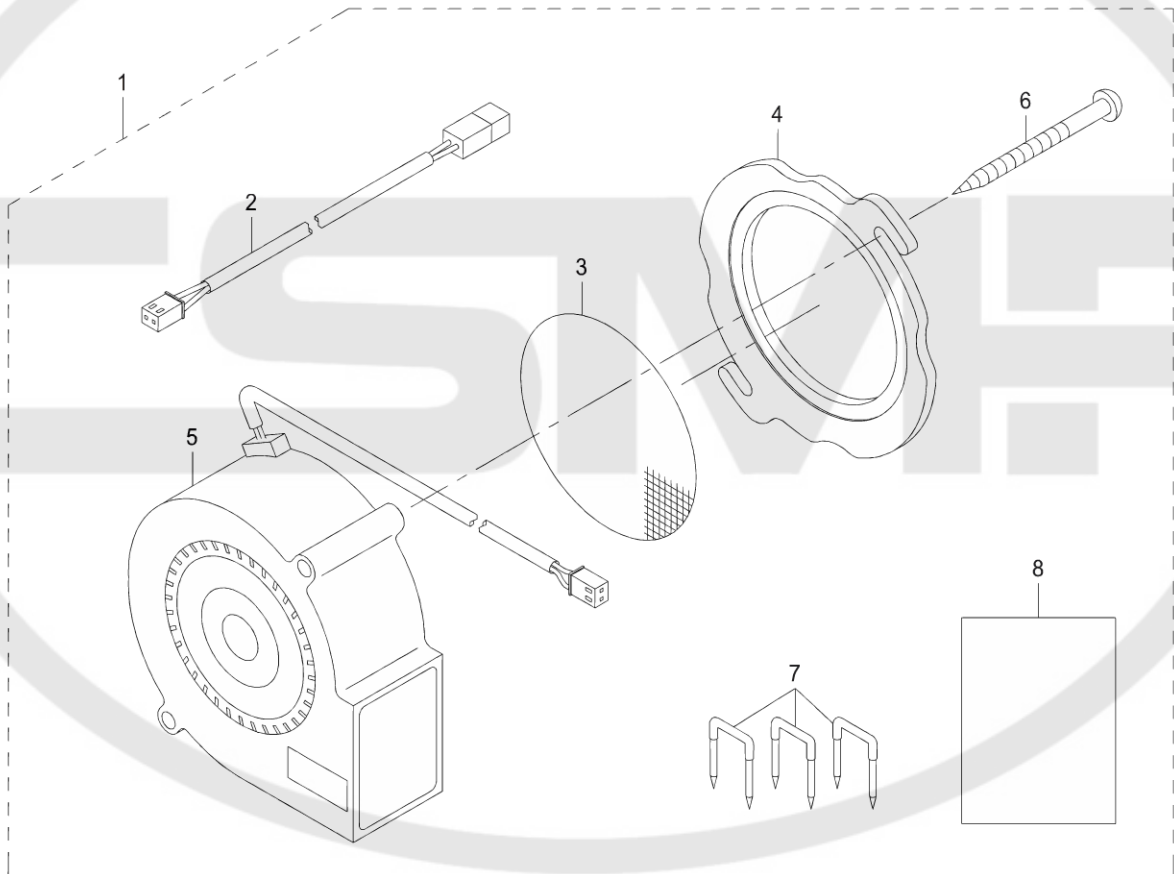
1...#01FOR AA/BB/EE / 2...#02FOR GG / 3...#03FOR AA/GG/EE / 4...#04OPTIONAL PARTS / 5... / 6...\*ABOUT THE DESTINATION / 7... 仕向地については、見開きの（パーツリスト  
 トご利用に際して）を参照して下さい。 / 8... /



No	note	Parts No.	DESCRIPTION	Qty
1		23642259	TABLE ASM.	1
2		23642200	TABLE	(1)
3		11075900	RUBBER SPACER	(2)
4		11075801	RUBBER SPACER	(2)
5		B8210012000	CUSHION SET NAIL	(4)
6		B8210012000	CUSHION SET NAIL	(4)
7		D8226555E00	FRAME RUBBER CUSHION A	(2)
8	#01	11157587	T LEG JUNCTION	1
9	#02	GPK700010A0	3-JOINT PEDAL 70	1
10	#02	11157559	T-STAND ASM.	1
11		11155789	SMALL CASTINGS BOX B ASM.	1
12		11156007	CASE	(1)
13		11155801	CASE MAGNET	(1)
14		11155751	CASE ASM. B	(1)
15		SK3382001SC	WOOD SCREW D=3.8 L=20	(4)
16		11155157	DRAWER ASM.	1
17		11155108	DRAWER	(1)
18		11155207	DRAWER SUPPORT	(2)
19		SK3311600SE	WOOD SCREW D=3.1 L=16	(6)
20	#02	GPK710010A0	2-PEDAL ASM. 71	1
21		D8204555D00	DRAWER STOPPER	1
22		SK3513200SC	WOOD SCREW D=5.1 L=32	4
23	#03	11159456	CASTER ASM.	1
24		SM9086523SE	HEXAGONAL BOLT	(2)
25		11159407	CASTER	(4)
26		11159506	STRUT AUXILIARY PLATE	(2)
27		WS0861410KR	SPRING WASHER 8.6X15X1.4	(2)
28		WP0871602SE	WASHER 8.7X18X1.6	(2)

1...#01FOR JT-D950 / 2...#02FOR JT-D95A/-D95B / 3...#03OPTIONAL PARTS / 4... /







No	note	Parts No.	DESCRIPTION	Qty
1		40065571	ELECTRIC FAN HOOK COOLING DEVICE	1
2		40044065	FAN RELAY CABLE	(1)
3		40064805	FAN FILTER	(1)
4		40064806	FAN COOLING COVER	(1)
5		40065564	FAN MOTOR ASSY	(1)
6		SK3415001SE	SCREW D=4.1 L=50	(2)
7		MAO11532000	CORD STAPLE	(3)
8		40065572	HOOK COOLING DEVICE INSTRUCTION	(1)

1... / 2...undefined / 3...undefined / 4...undefined / 5...undefined / 6...undefined / 7...undefined / 8...undefined / 9...undefined / 10...undefined / 11...undefined / 12...undefined / 13...undefined / 14...undefined / 15...undefined / 16...undefined / 17...undefined / 18...undefined / 19...undefined / 20...undefined / 21...undefined / 22...undefined / 23...undefined / 24...undefined / 25...undefined / 26...undefined / 27...undefined / 28...undefined / 29...undefined / 30...undefined / 31...undefined / 32...undefined / 33...undefined / 34...undefined / 35...undefined / 36...undefined / 37...undefined / 38...undefined / 39...undefined / 40...undefined / 41...undefined / 42...undefined / 43...undefined / 44...undefined / 45...undefined / 46...undefined / 47...undefined / 48...undefined / 49...undefined / 50...undefined / 51...undefined / 52...undefined / 53...undefined / 54...undefined / 55...undefined / 56...undefined / 57...undefined / 58...undefined / 59...undefined / 60...undefined / 61...undefined / 62...undefined /





DDL-9000B  
19. LIST FOR INFORMATION OF CHANGE

As to the place changed, refer to the corresponding Rev. No.  
When previous parts (Obsolleted part) and new parts (Added parts) are not interchangeable with each other:  
In this case, even obsolleted parts (D.) can be ordered with the obsolleted part number, so select the parts with changed dates and place your orders.

変更箇所は、該当Rev. No. 版をご参照ください。  
部品の互換性がない変更の場合は、削除された品番でも、ご注文できます。

40089326  
No. 1532-02... Rev. No.

\*A: Added parts 追加部品 / D: Obsolleted parts 削除部品 / E: Erratum 訂正

* Rev. No.	Page No.	Ref. No.	Parts No. 品 番	* Rev. No.	Page No.	Ref. No.	Parts No. 品 番
D 01	2	10	SM-4050655-SP				
D 01	2	11	400-22407				
D 01	2	22	SM-4040655-SP	A 02	2	22	SM-4040855-SP
D 01	2	44	400-86728	A 02	2	44	401-14043
D 01	2	49	400-24843	A 02	2	49	400-86639
D 01	2	61	110-73954	A 02	2	61	229-63458
D 01	2	77	236-38554	A 02	2	77	400-98386
D 01	4	31	SM-0051001-SC	A 02	4	31	SM-0050801-SC
D 01	4	32	SM-0051001-SC	A 02	4	32	SM-0050801-SC
D 01	6	26	236-08102	A 02	6	26	401-07708
D 01	6	32	B1414-555-000	A 02	6	32	400-90058
D 01	8	35	SM-4050655-SP	A 02	8	35	SM-4040855-SP
D 01	8	36	SM-4040655-SP	A 02	8	36	SM-4040855-SP
D 01	10	29	229-11804	A 02	10	29	401-41842
D 01	10	30	229-12109	A 02	10	30	401-23098
D 01	10	31	229-12000	A 02	10	31	401-41839
D 01	10	32	235-34506	A 02	10	32	401-41840
D 01	10	33	WP-1751616-SD				
D 01	10	34	400-36433	A 02	10	34	401-41841
D 01	10	42	400-86610	A 02	10	42	401-22891
D 01	10	44	400-86612	A 02	10	44	401-41837
D 01	10	46	400-99100				
D 01	10	47	400-99101				
D 01	10	48	110-01005				
D 01	10	51	400-93035	A 02	10	33	401-41838
D 01	12	80	SB-1200026-00	A 02	12	80	SB-1200018-00
D 01	14	80	B1223-771-000	A 02	14	80	400-90099
D 01	16	31	400-86749	A 02	16	31	400-98329
D 01	20	1	229-30358	A 02	20	1	401-08401
				A 02	20	16	401-08402
				A 02	22	3	400-99736
				A 02	22	4	400-99737
D 01	22	9	HX-0004300-00	A 02	22	9	EA-9500B01-00
D 01	24	8	400-50584	A 02	24	8	401-41843
D 01	24	27	235-40305	A 02	24	27	400-42086
				A 02	24	29	236-30007

No	note	Parts No.	DESCRIPTION	Qty
1		40065571	ELECTRIC FAN HOOK COOLING DEVICE	1
2		40044065	FAN RELAY CABLE	(1)
3		40064805	FAN FILTER	(1)
4		40064806	FAN COOLING COVER	(1)
5		40065564	FAN MOTOR ASSY	(1)
6		SK3415001SE	SCREW D=4.1 L=50	(2)
7		MAO11532000	CORD STAPLE	(3)
8		40065572	HOOK COOLING DEVICE INSTRUCTION	(1)

1... / 2...undefined / 3...undefined / 4...undefined / 5...undefined / 6...undefined / 7...undefined / 8...undefined / 9...undefined / 10...undefined / 11...undefined / 12...undefined / 13...undefined / 14...undefined / 15...undefined / 16...undefined / 17...undefined / 18...undefined / 19...undefined / 20...undefined / 21...undefined / 22...undefined / 23...undefined / 24...undefined / 25...undefined / 26...undefined / 27...undefined / 28...undefined / 29...undefined / 30...undefined / 31...undefined / 32...undefined / 33...undefined / 34...undefined / 35...undefined / 36...undefined / 37...undefined / 38...undefined / 39...undefined / 40...undefined / 41...undefined / 42...undefined / 43...undefined / 44...undefined / 45...undefined / 46...undefined / 47...undefined / 48...undefined / 49...undefined / 50...undefined / 51...undefined / 52...undefined / 53...undefined / 54...undefined / 55...undefined / 56...undefined / 57...undefined / 58...undefined / 59...undefined / 60...undefined / 61...undefined / 62...undefined /

